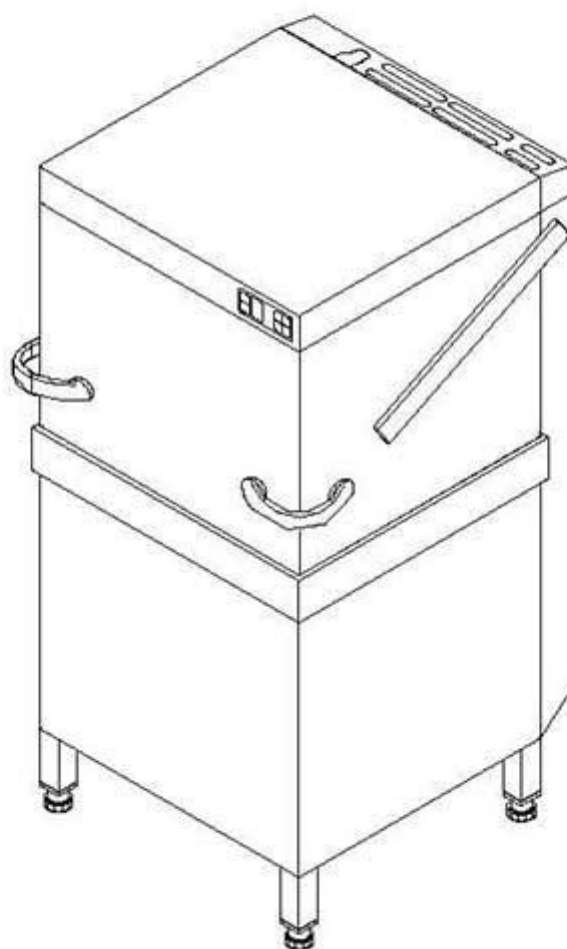


winterhalter

Spare parts list
GS 502, GS 515



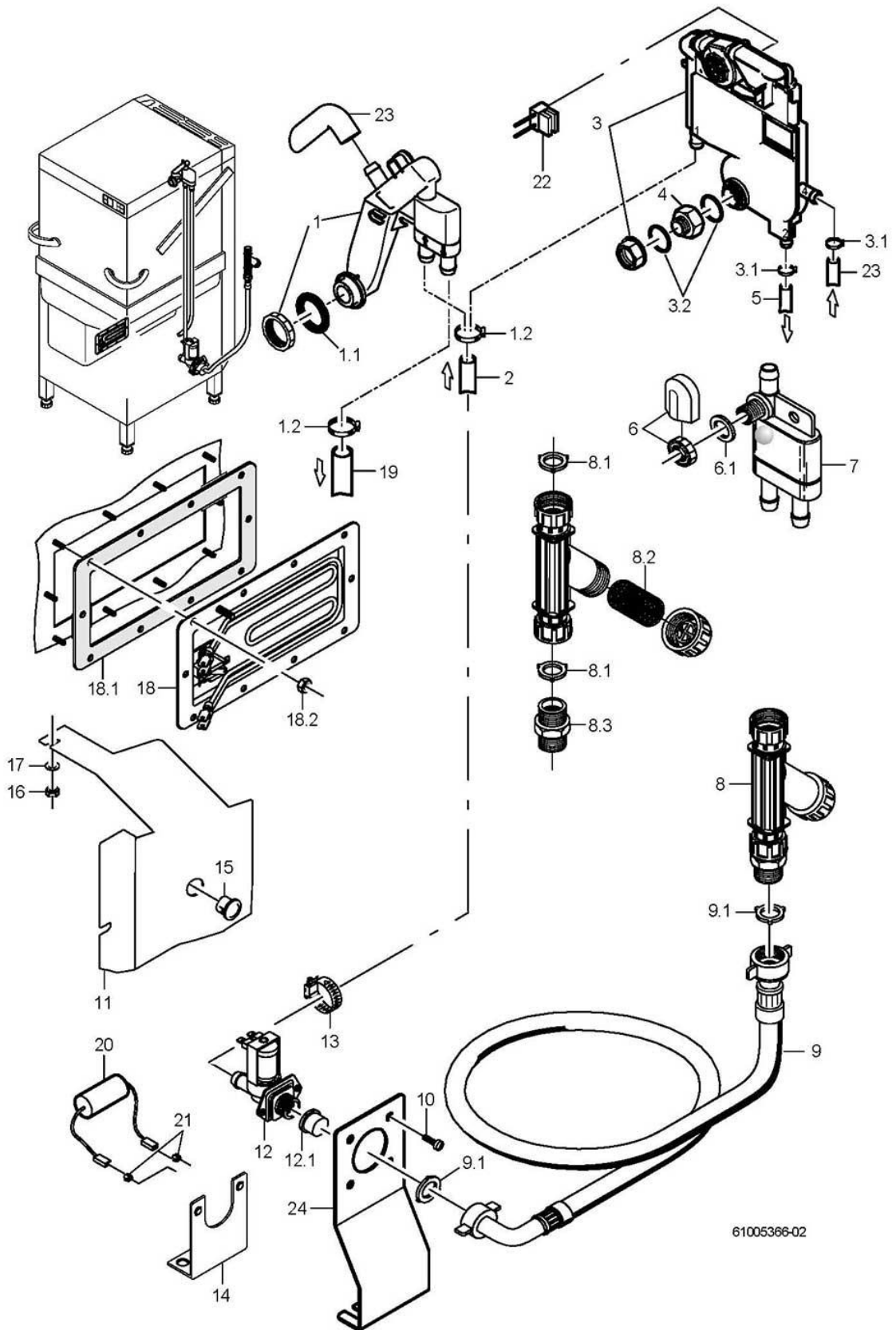
Drawn up: 02.11.99

Processed: 02.08.09

Parts no.: 89005928

Contents

| | |
|---|--------------|
| Water inlet and tank heating - GS 502, GS 515 | Page 1 - 4 |
| Water softener - GS 502, GS 515 | Page 5 - 6 |
| Water inlet (Tundish GB) - GS 502, GS 515 to machine no.: 470 791 | Page 7 - 8 |
| Water drain, Mediamat Cyclo - GS 502, GS 515 | Page 9 - 10 |
| Wash pump - GS 502, GS 515 | Page 11 - 12 |
| Wash system, bottom - GS 502, GS 515 | Page 13 - 14 |
| Wash system, top - GS 502, GS 515 to machine no.: 470 791 | Page 15 - 16 |
| Rinse system - GS 502, GS 515 to machine no.: 470 791 | Page 17 - 18 |
| Washing/rinsing system - GS 502, GS 515 From machine no.: 470 792 | Page 19 - 22 |
| Reversing - GS 515 | Page 23 - 24 |
| Pressure boiler - GS 502, GS 515 | Page 25 - 26 |
| Pressure-independent boiler - GS 502, GS 515 | Page 27 - 28 |
| Rinse pump - GS 502, GS 515 | Page 29 - 30 |
| Dosage - GS 502, GS 515 | Page 31 - 32 |
| Chassis, container and panelling - GS 502 | Page 33 - 34 |
| Chassis, container and panelling - GS 515 | Page 35 - 36 |
| Hood - GS 502 | Page 37 - 38 |
| Hood - GS 502 Energy / Energy+ | Page 39 - 40 |
| Hood - GS 515 | Page 41 - 42 |
| Hood - GS 515 Energy / Energy+ | Page 43 - 44 |
| Electric parts - GS 502, GS 515 | Page 45 - 46 |
| Vapour extraction - GS 502, GS 515 Energy / Energy+ | Page 51 - 52 |
| Vapour extraction (covering) - GS 502, GS 515 Energy / Energy+ | Page 49 - 50 |
| Automatic hood opening (option) - GS 515 | Page 53 - 54 |
| Waste water heat recovery - GS 502, GS 515 Energy+ | Page 55 - 56 |

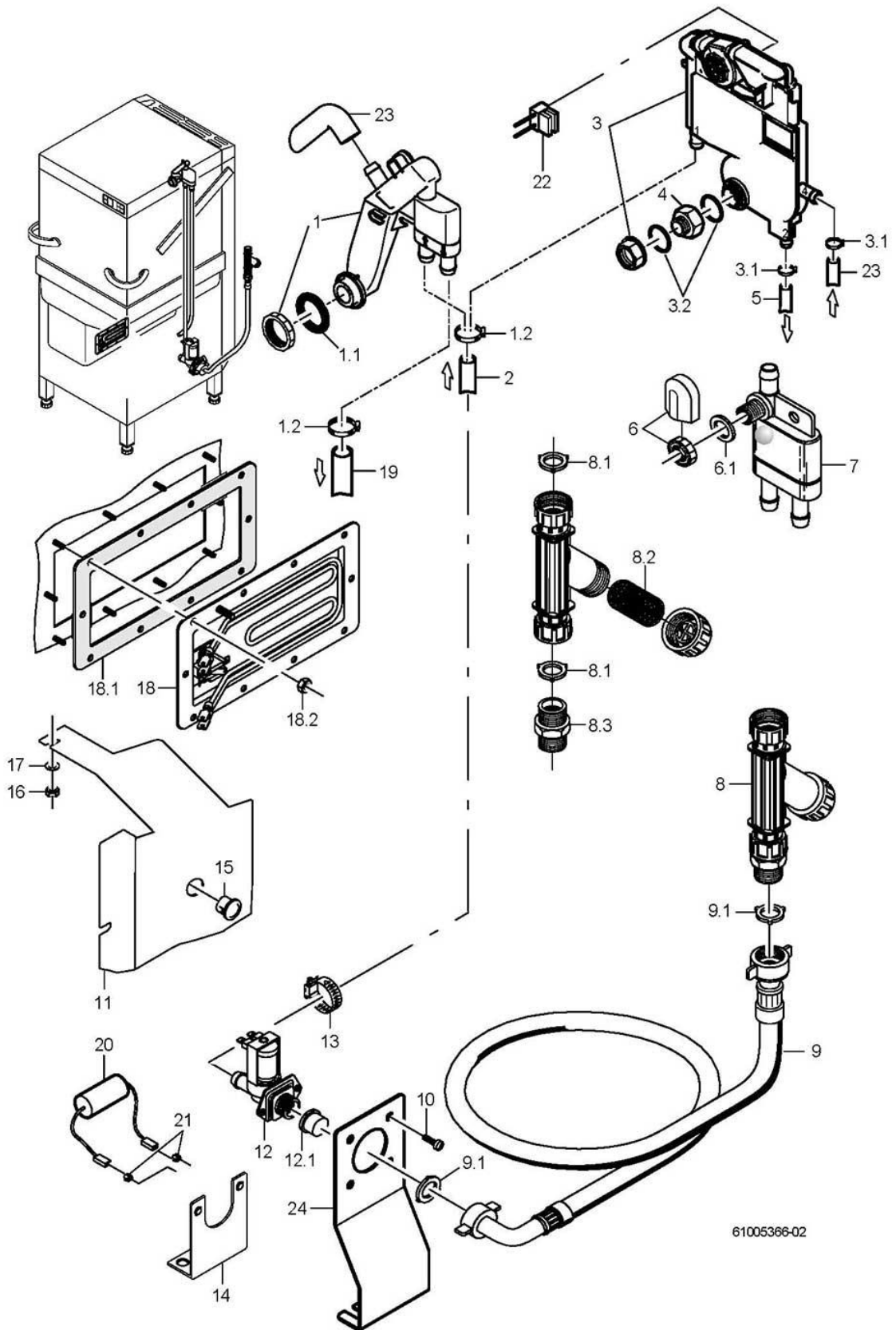


61005366-02

GS 502, GS 515**Water inlet and tank heating - GS 502, GS 515**

| Item. | Designation | Parts no.: | Pc. | Notes |
|-------|--|------------|-----|--|
| 1 | Reverse flow inhibitor kit | 60003846 | | From machine no.: 470 792 Also order: pos. 2+19 |
| 1 | Reverse flow inhibitor kit | 60003846 | | From machine no.: 544 755; For machines without integrated water softener, not for UK and Australia |
| 1 | Separate check valve set | 61006616 | | to machine no.: 544 754; Replacement for WSE set (pos. 3), not for UK and Australia |
| 1.1 | O-ring; 24 X 3,0 | 27 07 087 | | |
| 1.2 | Hose clamp; D12-22 X 9 | 28 02 105 | 2 | |
| 2 | Industrial hose; DN13 X 3,5 | 40 02 035 | | 1430 mm; "By-the-metre" goods |
| 3 | Set of WSE without impeller counter | 60003511 | | From machine no.: 470 792; For machines without integrated water softener in the UK and Australia only |
| 3 | WSE with impeller counter kit | 60003512 | | From machine no.: 470 792 for machines with built-in water softener |
| 3.1 | Hose clamp; D12-22 X 9 | 28 02 105 | 4 | |
| 3.2 | O-ring; 24 X 3,0 | 27 07 087 | 2 | |
| 4 | Extension; D20 X 21; SW36 | 61005911 | | From machine no.: 470 792 |
| 5 | Shaped hose; DN10 X DN13 X 3,5 | 61006059 | | From machine no.: 470 792 |
| 5 | Moulded hose; DN10 X DN12,5 X 3,5 | 80003726 | | GS502+GS 515 Energy+ |
| 6 | Tank inlet set | 61004545 | | to machine no.: 470 791 |
| 6.1 | Gasket; D17 X D24 X 2,0 | 62001366 | | to machine no.: 470 791 |
| 7 | Lateral check valve | 35 01 194 | | to machine no.: 470 791 |
| 8 | Dirt trap; 150 µM | 80002153 | | incl. item 7.1 – 7.3 |
| 8.1 | Gasket; D16 X D24 X 3,0 | 80002241 | 2 | |
| 8.2 | Strainer; D27 X 67 X 150µM | 80002728 | | |
| 8.3 | Double nipple; G 3/4" X 40; SW30 | 80002167 | | |
| 9 | Water supply hose; DN13 X 3,5; 2500 | 40 02 060 | | incl. item 8.1 |
| 9.1 | Gasket; D16 X D24 X 3,0 | 80002241 | 2 | |
| 10 | Countersunk screw; M4 X 8 | 20 10 309 | 2 | |
| 11 | Bracket cpl.; 296,71 LG | 61004993 | | up to mach. no. 430 732 |
| 12 | Solenoid valve flow restrictor 15l; 220-240V/50-60HZ | 31 06 180 | | Pressure boiler |
| 12 | Solenoid valve flow restrictor 5l; 220-240V/50-60HZ | 31 06 174 | | Pressure-independent boiler |
| 12 | 5 l solenoid valve set; 200-240V/50-60HZ/+ -10% | 60004147 | | Japan; Australia |
| 12 | Solenoid valve flow restrictor 8l; 180-220V/50-60HZ | 31 06 197 | | Japan |
| 12.1 | Solenoid valve filter | 31 06 186 | | |
| 13 | Hose clamp; D12-22 X 9 | 28 02 105 | | |
| 14 | Bracket; 1,5 X 55 X 86,5 | 61005765 | | to machine no.: 545 310 |
| 15 | Snap-in passage; D23,8 | 31 10 144 | | up to mach. no. 430 732 |

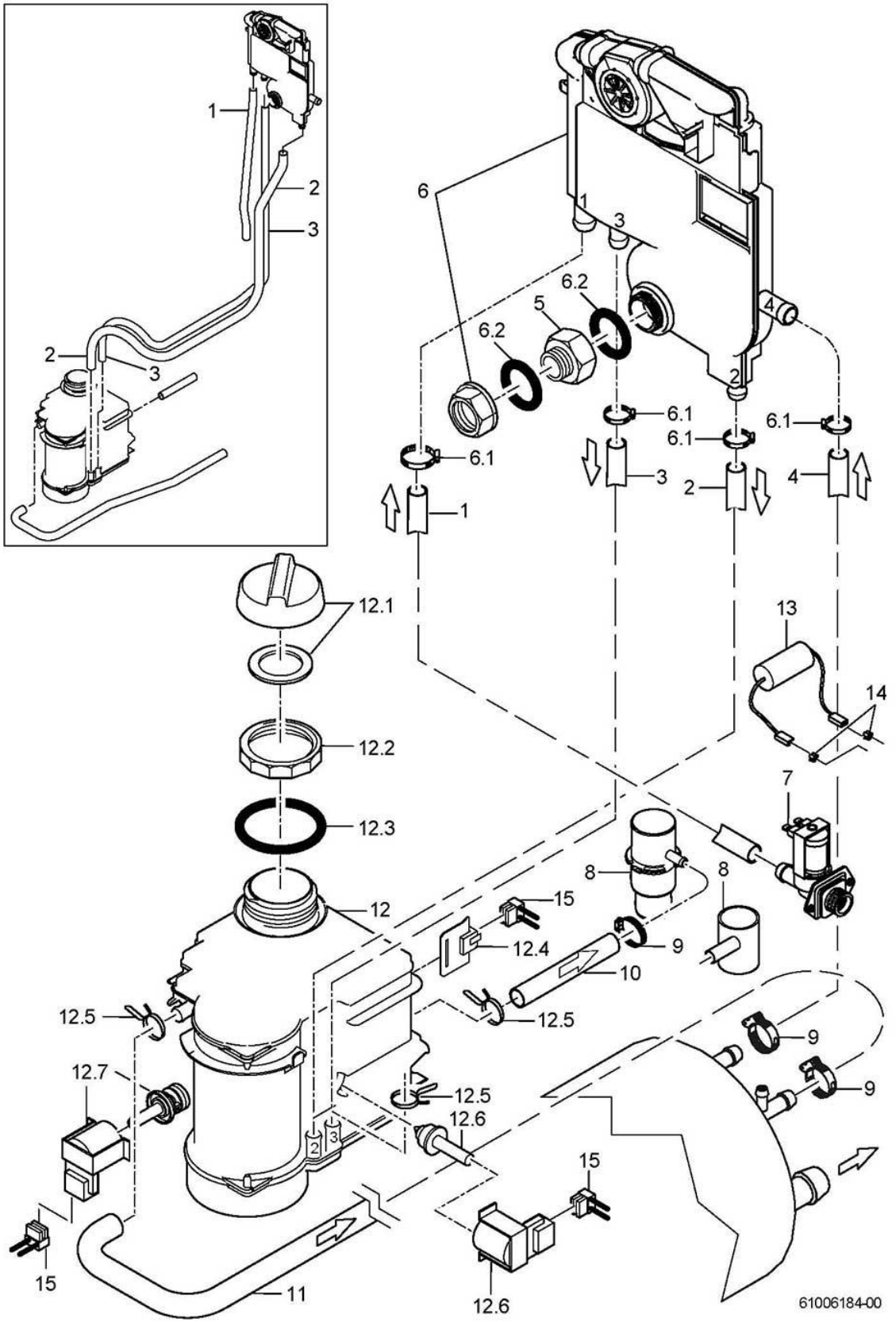
For missing items, see next page



61005366-02

GS 502, GS 515**Water inlet and tank heating - GS 502, GS 515**

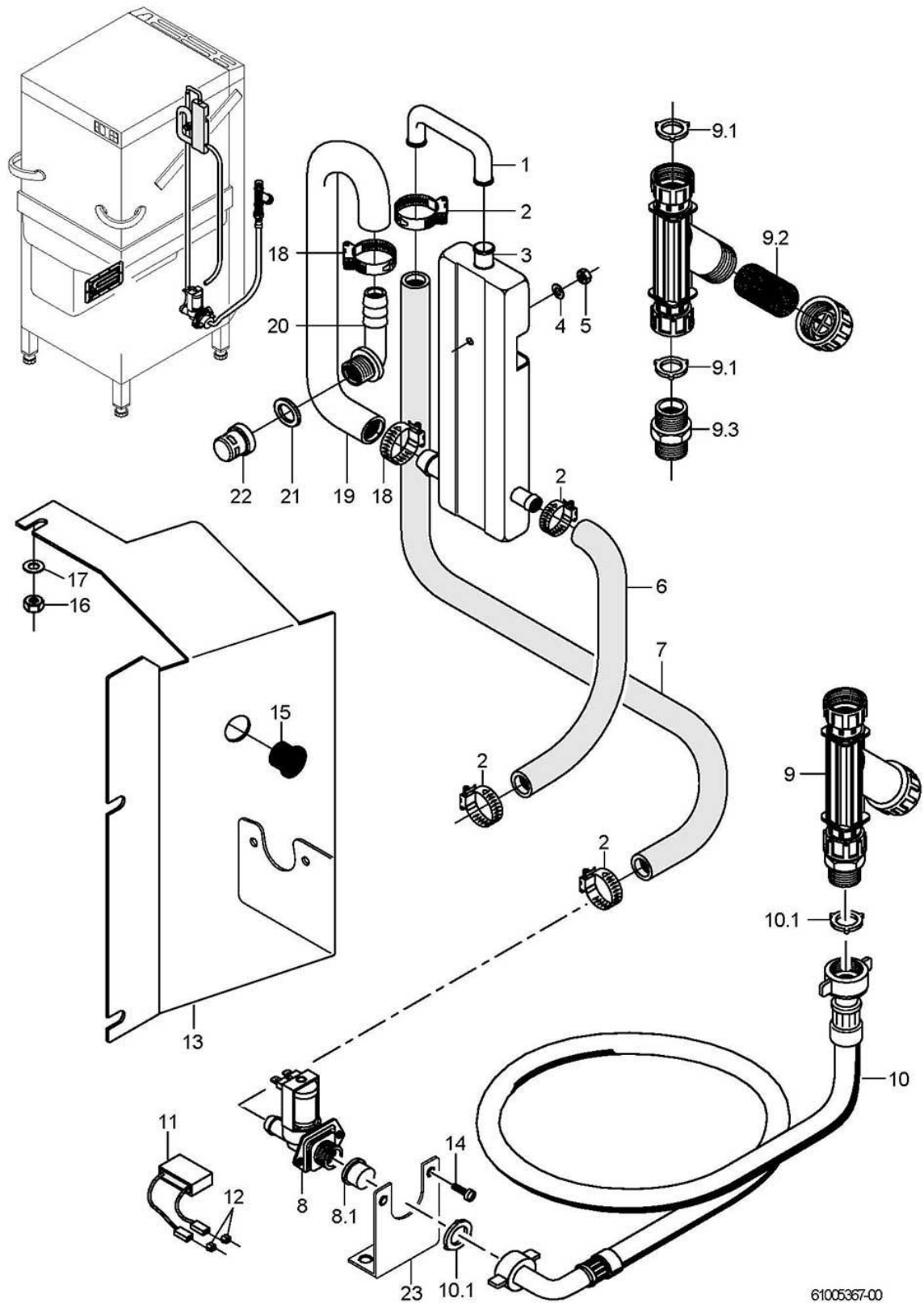
| Item. | Designation | Parts no.: | Pc. | Notes |
|-------|--|------------|-----|---|
| 16 | Hexagonal nut; M5 SELBSTSICHERND | 21 05 302 | 3 | |
| 17 | Washer; D5,3 X D15 X 1,2 | 22 05 301 | 3 | |
| 18 | Heating element cpl.; 230V/1 | 61005231 | | incl. item 18.1 - 18.3 |
| 18 | Heating element cpl.; 240V/1 | 61005230 | | incl. item 18.1 - 18.3 |
| 18 | Heating element cpl.; 200V/1 | 61005229 | | incl. item 18.1 - 18.3 |
| 18.1 | Gasket; 1,8 X 94 X 239 | 82000014 | | |
| 18.2 | Hexagonal nut; M5 | 21 01 203 | 10 | |
| 19 | Industrial hose; DN13 X 3,5 | 40 02 035 | | 1900 mm; "By-the-metre" goods |
| 19 | Hose elbow; DN12,5 X 4,0 | 40 03 051 | | GS502+GS 515 Energy+ |
| 20 | RC element; 0,15 MICRO F; 3,3 KOHM | 31 13 114 | | Pressure-independent boiler |
| 21 | Flat plug; 6,3 X 0,8 | 31 12 018 | 2 | Pressure-independent boiler |
| 22 | Cable WMZ; 2 X 0,34QMM; 1500 LG | 61005965 | | for machines with built-in water softener |
| 23 | Hose elbow 90°; DN12,5 X 4,0;30 X 1080 | 61005784 | | |
| 24 | Retainer; 1,5 X 55 X 151,77 | 61006410 | | From machine no.: 545 311 |



61006184-00

GS 502, GS 515**Water softener - GS 502, GS 515**

| Item. | Designation | Parts no.: | Pc. | Notes |
|-------|---|------------|-----|-------------------------------|
| 1 | Industrial hose; DN13 X 3,5 | 40 02 035 | | 1300 mm; "By-the-metre" goods |
| 2 | Hose; DN10 X 2,0 | 40 01 050 | | 1010 mm; "By-the-metre" goods |
| 3 | Hose; DN10 X 2,0 | 40 01 050 | | 1010 mm; "By-the-metre" goods |
| 4 | Hose elbow 90°; DN12,5 X 4,0;30 X 1080 | 61005784 | | adapt |
| 5 | Extension; D20 X 21; SW36 | 61005911 | | |
| 6 | WSE with impeller counter kit | 60003512 | | |
| 6.1 | Hose clamp; D12-22 X 9 | 28 02 105 | 4 | |
| 6.2 | O-ring; 24 X 3,0 | 27 07 087 | 2 | |
| 7 | Solenoid valve flow restrictor 5l; 220-240V/50-60HZ | 31 06 174 | | |
| 7 | Solenoid valve flow restrictor 8l; 180-220V/50-60HZ | 31 06 197 | | Japan |
| 8 | T-piece | 61005918 | | to machine no.: 488 150 |
| 8 | Double nipple; D51 X 124; D40 | 61006227 | | From machine no.: 488 151 |
| 9 | Hose clamp; D12-22 X 9 | 28 02 105 | | |
| 10 | Hose; DN10 X 2,0 | 40 01 050 | | 480mm; "By-the-metre" goods |
| 11 | Shaped hose; DN10 X DN12,50 X 2,0 | 60003158 | | |
| 12 | Water softener kit; 220-240V; 50/60HZ | 83000420 | | |
| 12 | Water softener kit; 200-210V; 50/60HZ | 83000421 | | Japan |
| 12.1 | Cover, complete, with seal | 83000407 | | |
| 12.2 | Lock nut; S54 X 4; D56 | 60003001 | | |
| 12.3 | O-ring; 54 X 5 | 27 07 065 | | |
| 12.4 | Dry reed contact lack of salt | 83000408 | | |
| 12.5 | Wire hose clamp; D14,4 X 15,1 | 28 02 344 | 2 | |
| 12.6 | Repair kit regeneration valve; 220-240V,50/60HZ | 83000402 | | |
| 12.6 | Repair kit regeneration valve; 200-210V,50/60HZ | 83000463 | | |
| 12.7 | Repair kit reversing valve; 220-240V,50/60HZ | 83000460 | | |
| 12.7 | Repair kit reversing valve; 200-210V,50/60HZ | 83000467 | | |
| 13 | RC element; 0,15 MICRO F; 3,3 KOHM | 31 13 114 | | |
| 14 | Flat plug; 6,3 X 0,8 | 31 12 018 | 2 | |
| 15 | Wiring loom; Water softener | 61005966 | | |
| o.P. | Filling funnel | 35 02 013 | | |

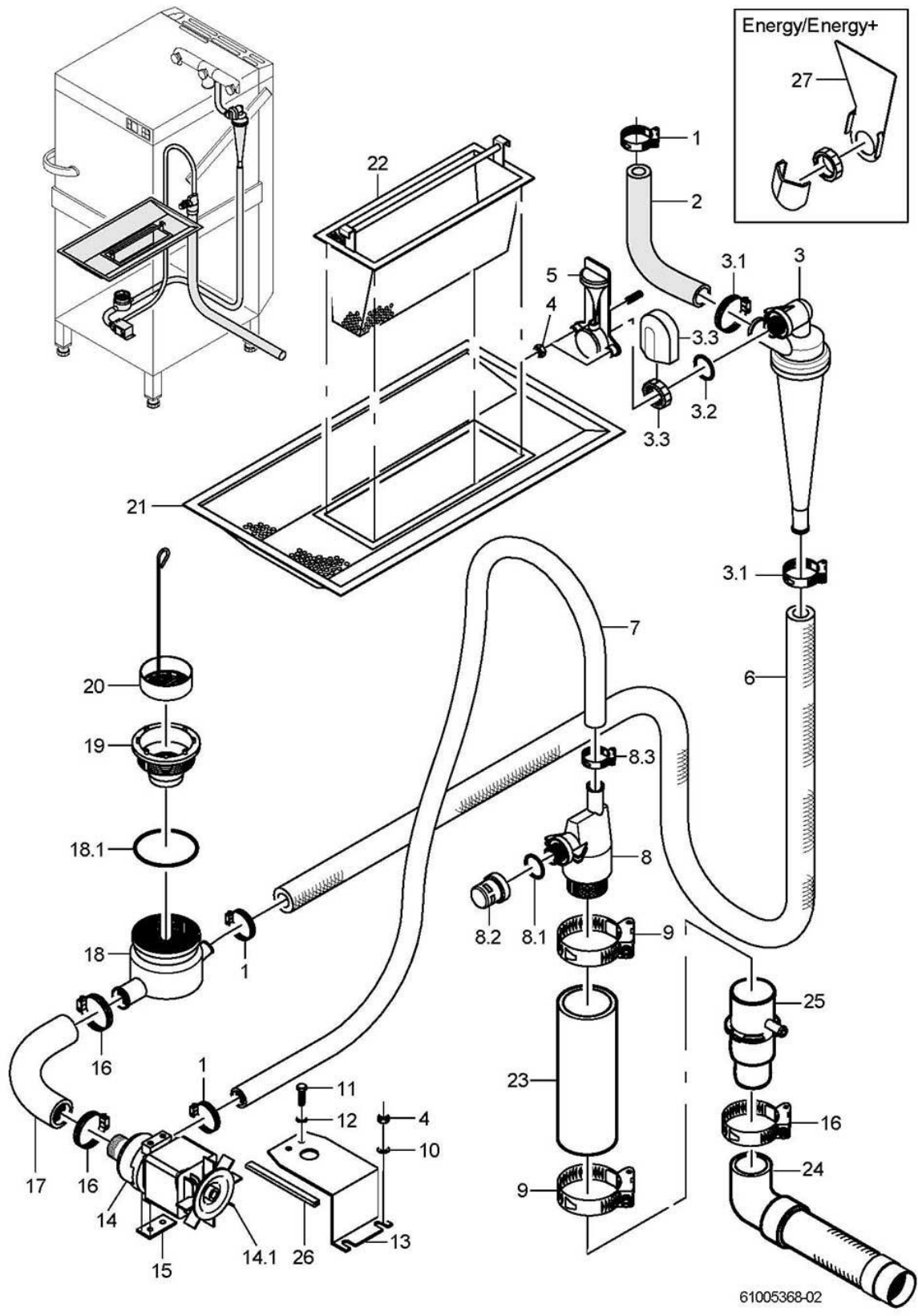


61005367-00

GS 502, GS 515

Water inlet (Tundish GB) - GS 502, GS 515 to machine no.: 470 791

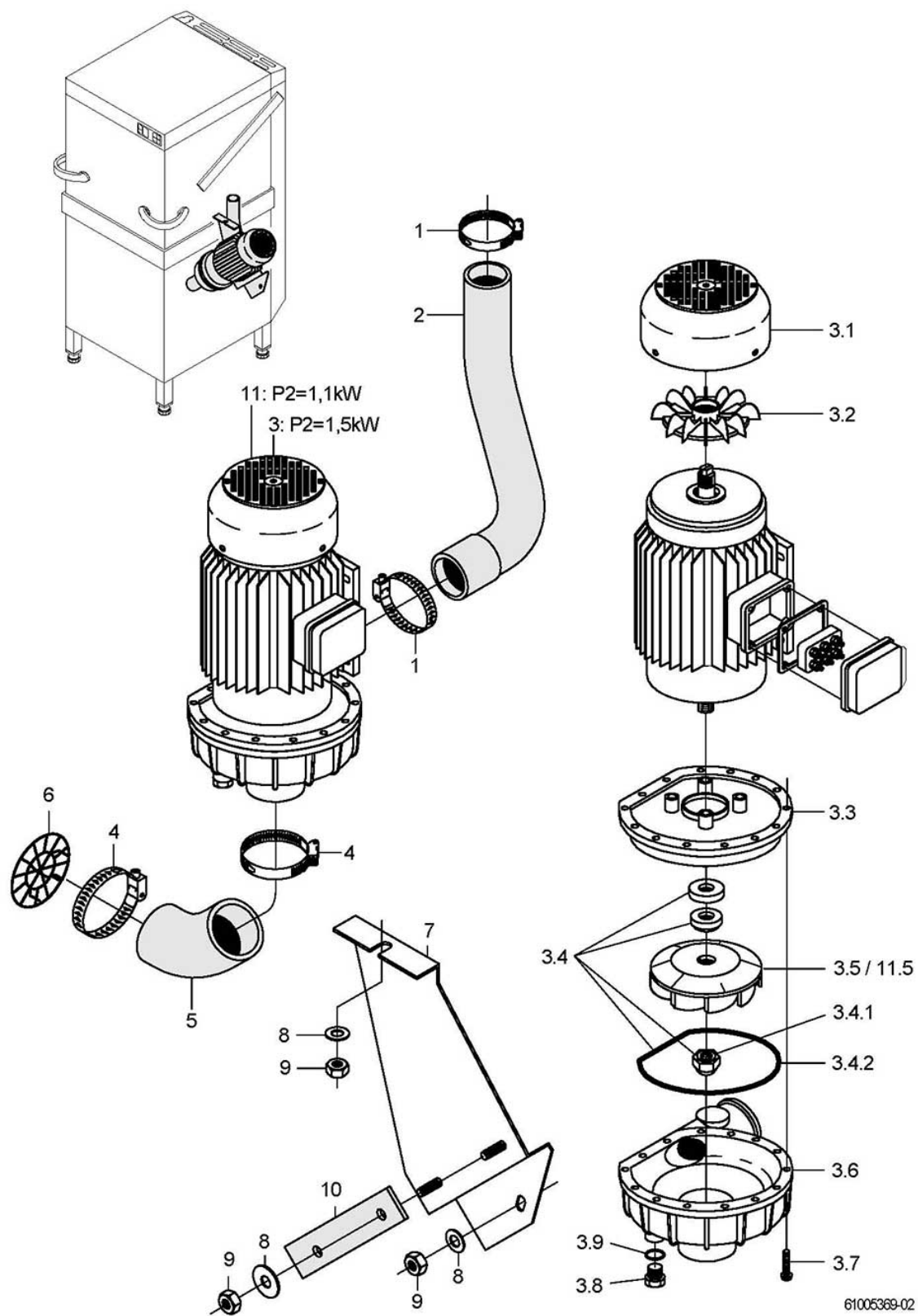
| Item. | Designation | Parts no.: | Pc. | Notes |
|-------|---|------------|-----|-------------------------------|
| 1 | Pipe elbow; DN12 X DN14 X 2,0 | 60002507 | | |
| 2 | Hose clamp; D12-22 X 9 | 28 02 105 | | |
| 3 | Intermediate container; 39 X 131 X 293 | 60002542 | | to machine no.: 470 791 |
| 4 | Washer; D5,3 X D10 X 1,0 | 22 01 300 | | |
| 5 | Hexagonal nut; M5 SELBSTSICHERND | 21 05 302 | | |
| 6 | Hose bend; DN12,5 X 4,0 | 40 03 050 | | adapt |
| 7 | Industrial hose; DN13 X 3,5 | 40 02 035 | | 1350 mm; "By-the-metre" goods |
| 8 | Solenoid valve flow restrictor 5l; 220-240V/50-60HZ | 31 06 174 | | incl. item 8.1 |
| 8 | 5 l solenoid valve set; 200-240V/50-60HZ/+/-10% | 60004147 | | Japan; Australia |
| 8.1 | Solenoid valve filter | 31 06 186 | | |
| 9 | Dirty trap; 150 µM | 80002153 | | incl. item 9.1 – 9.3 |
| 9.1 | Gasket; D16 X D24 X 3,0 | 80002241 | 2 | |
| 9.2 | Strainer; D27 X 67 X 150µM | 80002728 | | |
| 9.3 | Double nipple; G 3/4" X 40; SW30 | 80002167 | | |
| 10 | Water supply hose; DN13 X 3,5; 2500 | 40 02 060 | | incl. item 10.1 |
| 10.1 | Gasket; D16 X D24 X 3,0 | 80002241 | 2 | |
| 11 | RC element; 0,15 MICRO F; 3,3 KOHM | 31 13 114 | | |
| 12 | Flat plug; 6,3 X 0,8 | 31 12 018 | 2 | |
| 13 | Bracket cpl.; 296,71 LG | 61004993 | | up to mach. no. 430 732 |
| 14 | Countersunk screw; M4 X 8 | 20 10 309 | 2 | |
| 15 | Snap-in passage; D23,8 | 31 10 144 | | up to mach. no. 430 732 |
| 16 | Hexagonal nut; M5 SELBSTSICHERND | 21 05 302 | 3 | |
| 17 | Washer; D5,3 X D15 X 1,2 | 22 05 301 | 3 | |
| 18 | Hose clamp; D24-44 X 12 | 28 02 309 | 2 | |
| 19 | Hose bend; DN25 X 4,0 | 61004322 | | |
| 20 | Wash distributor cpl. | 62002887 | | |
| 21 | Gasket; D26 X D36 X 2,0 | 27 01 003 | | |
| 22 | Cap; G 3/4" X 24; SW32 | 61004974 | | |
| 23 | Bracket; 1,5 X 55 X 86,5 | 61005765 | | |



61005368-02

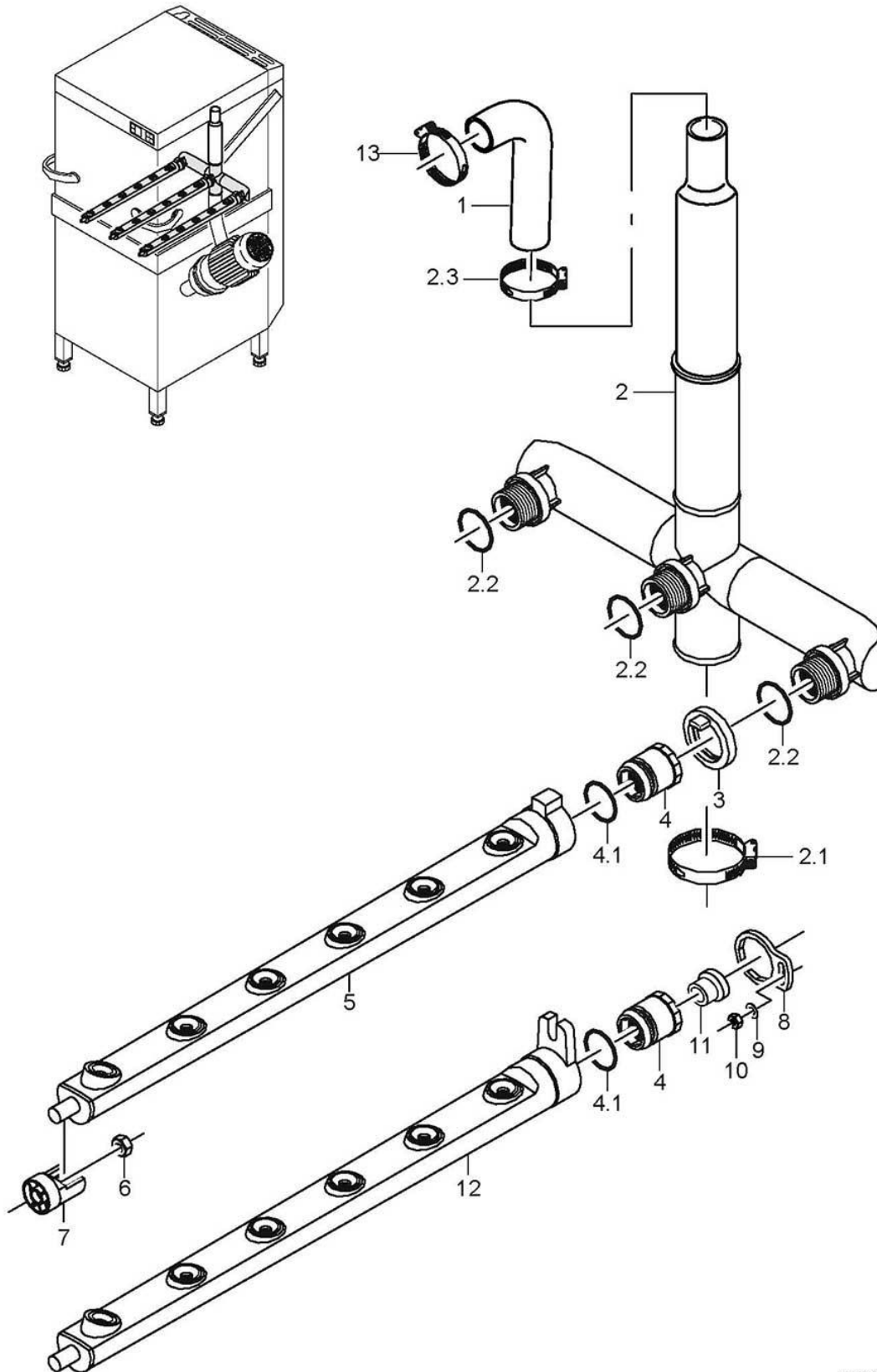
GS 502, GS 515**Water drain, Mediamat Cyclo - GS 502, GS 515**

| Item. | Designation | Parts no.: | Pc. | Notes |
|-------|---|------------|-----|-------------------------------|
| 1 | Hose clamp; D20-30 X 12 | 28 02 109 | | |
| 2 | Hose elbow 90°; DN16 X 4,0; 70 X 145,5 | 61005272 | | to machine no.: 470 791 |
| 2 | Hose elbow; DN16 X 4,0; 154 X 164 | 61005977 | | From machine no.: 470 792 |
| 3 | Mediamat Cyclo | 61005184 | | incl. item 3.1 - 3.3 |
| 3.1 | Hose clamp; D12-22 X 9 | 28 02 105 | 2 | |
| 3.2 | O-ring; 20 X 3,5 | 27 07 040 | | |
| 3.3 | Tank inlet set; G 1/2" X 8; SW27 | 61005339 | | |
| 4 | Hexagonal nut; M5 SELBSTSICHERND | 21 05 302 | | |
| 5 | Ceiling wash jet | 61005278 | | to machine no.: 470 791 |
| 6 | Industrial hose; DN16 X 4,0 | 40 01 015 | | 1035 mm; "By-the-metre" goods |
| 7 | Hose elbow; DN24X4,0;55X890 | 61005049 | | |
| 8 | Outlet | 61005185 | | incl. item 8.1 – 8.3; 9.1 |
| 8.1 | O-ring; 29,5 X 4,5 | 27 07 008 | | |
| 8.2 | Cap; G 3/4" X 24; SW32 | 61004974 | | |
| 8.3 | Hose clamp; D24-36 X 12 | 28 02 111 | | |
| 9 | Hose clamp; D47-67 X 12 | 28 02 115 | | |
| 10 | Washer; D5,3 X D15 X 1,2 | 22 05 301 | | |
| 11 | Hexagon screw; M6 X 10; A70 | 20 01 332 | 2 | |
| 12 | Spring washer; B6 | 23 03 300 | 2 | |
| 13 | Holder; 1,5 X 110,84 X 253,66 | 61005154 | | |
| 14 | 3/0 lye pump; 200-240V/50-60HZ | 31 02 410 | | incl. item 14.1 |
| 14.1 | Fan blade | 31 02 431 | | |
| 15 | Spacer; 3,0 X 16 X 46 | 61006026 | | |
| 16 | Hose clamp; D32-52 X 12 | 28 02 110 | 2 | |
| 17 | Hose bend; DN24 X 4,0 | 61005028 | | |
| 18 | Sump pot | 61005186 | | incl. item 18.1 |
| 18.1 | O-ring; 91 X 3,5 | 27 07 075 | | |
| 19 | Sump drain set | 61006178 | | |
| 20 | Sump filter; D70 | 65005555 | | |
| 21 | Flat filter; 30 X 291 X 546 | 61004703 | | |
| 22 | Filter cartridge cpl. | 61006262 | | |
| 23 | Moulded hose; DN49 X 4,0 | 61005530 | | |
| 24 | Replacement set drain hose | 55 28 287 | | to machine no.: 488 150 |
| 24 | Drain hose; D40; 1500 LG | 61006446 | | From machine no.: 488 151 |
| 25 | Double nipple; D51 X 124; D40 | 61006227 | | From machine no.: 488 151 |
| 26 | Edge protection profile; U9,5 X 2,0 | 40 04 015 | | 140 mm; "By-the-metre" goods |
| 27 | Anti-rotation element; 0,8 X 69,9 X 102,8 | 80003568 | | GS 502 Energy/Energy+ |
| 27 | Anti-rotation element; 0,8 X 71,5 X 144 | 80003595 | | GS 515 Energy/Energy+ |



GS 502, GS 515**Wash pump - GS 502, GS 515**

| Item. | Designation | Parts no.: | Pc. | Notes |
|-------|---|------------|-----|--|
| 1 | Hose clamp; D47-67 X 12 | 28 02 115 | 2 | |
| 2 | Reduction elbow; DN50 X DN53 | 61004904 | | |
| 3 | Pump 1.5kW 9/1; 230V/400V/3/50HZ | 31 02 470 | | from 431 181; up to 474 178 |
| 3 | Pump 1.5kW 9/1; 230V/400V/3/60HZ | 31 02 471 | | from 431 181; up to 474 178 |
| 3 | Pump 1.5kW 9/1; 200V/346V/3/50HZ | 31 02 472 | | from 431 181; up to 474 178 |
| 3 | Pump 1.5kW 9/1; 200V/346V/3/60HZ | 31 02 473 | | from 431 181; up to 474 178 |
| 3 | Pump 1.5kW 9/1; 230V/1/50HZ | 31 02 478 | | from 431 181; up to 474 178 |
| 3.1 | Fan hood; 1,1 / 1,5 KW | 31 02 212 | | |
| 3.2 | Fan blade; 1,1 / 1,5 KW | 31 02 211 | | |
| 3.3 | Pump cover | 31 02 208 | | |
| 3.4 | Gasket set; 1,1/1,7/1,85/0,73 KW | 80002670 | | incl. item 3.4.1, 3.4.2 |
| 3.4.1 | Cap nut; M8 SELBSTSICHERND | 21 10 305 | | |
| 3.4.2 | O-ring; 158,35 X 3,53 | 31 02 209 | | |
| 3.5 | Pump impeller; D118 | 31 02 206 | | for 50 Hz pumps |
| 3.5 | Pump impeller; D100; 1,5KW; 60HZ | 31 02 436 | | for 60 Hz pumps |
| 3.6 | Pump housing | 31 02 204 | | |
| 3.7 | Hexagon screw; M4 X 25; 8,8 | 20 01 020 | | |
| 3.8 | Dummy plug; G 1/2" X 20,5 | 35 01 108 | | |
| 3.9 | O-ring; 20 X 3,5 | 27 07 040 | | |
| 4 | Hose clamp; D62-82 X 12 | 28 02 137 | 2 | |
| 5 | Hose elbow; DN62 | 61004903 | | |
| 6 | Inline filter; D72 | 62001956 | | |
| 7 | Bracket cpl. | 61005031 | | GS 502 |
| 7 | Bracket cpl. | 61005480 | | GS 515 |
| 8 | Washer; D6,4 X D18 X 1,6 | 22 05 302 | 4 | |
| 9 | Hexagonal nut; M6 SELBSTSICHERND | 21 05 304 | 4 | |
| 10 | Support; 3,0 X 32 X 130 | 61005004 | | |
| 11 | Pump 1.1 kW 9/1; 254V/440V/3/60HZ; IP55 | 31 02 416 | | From machine no.: 474 179; incl. item 3.1-3.4.2; 11.5; 3.6-3.9 |
| 11 | Pump 1.1 kW 2/1; 230V/400V/3/50HZ; IP44 | 31 02 263 | | From machine no.: 474 179; incl. item 3.1-3.4.2; 11.5; 3.6-3.9 |
| 11 | Pump 1,1 kW 2/1; 230V/1/50HZ; IP44 | 31 02 265 | | From machine no.: 474 179; incl. item 3.1-3.4.2; 11.5; 3.6-3.9 |
| 11 | Pump 1.1 kW 2/1; 230V/400V/3/60HZ; IP44 | 31 02 267 | | From machine no.: 474 179; incl. item 3.1-3.4.2; 11.5; 3.6-3.9 |
| 11 | Pump 1.1 kW 2/1; 200V/3/50HZ; IP44 | 31 02 302 | | From machine no.: 474 179; incl. item 3.1-3.4.2; 11.5; 3.6-3.9 |
| 11 | Pump 1.1 kW 2/1; 200V/3/60HZ | 31 02 303 | | From machine no.: 474 179; incl. item 3.1-3.4.2; 11.5; 3.6-3.9 |
| 11.5 | Pump impeller; D111 | 31 02 273 | | for 50 Hz pumps |
| 11.5 | Pump impeller; D96 | 31 02 274 | | for 60 Hz pumps |

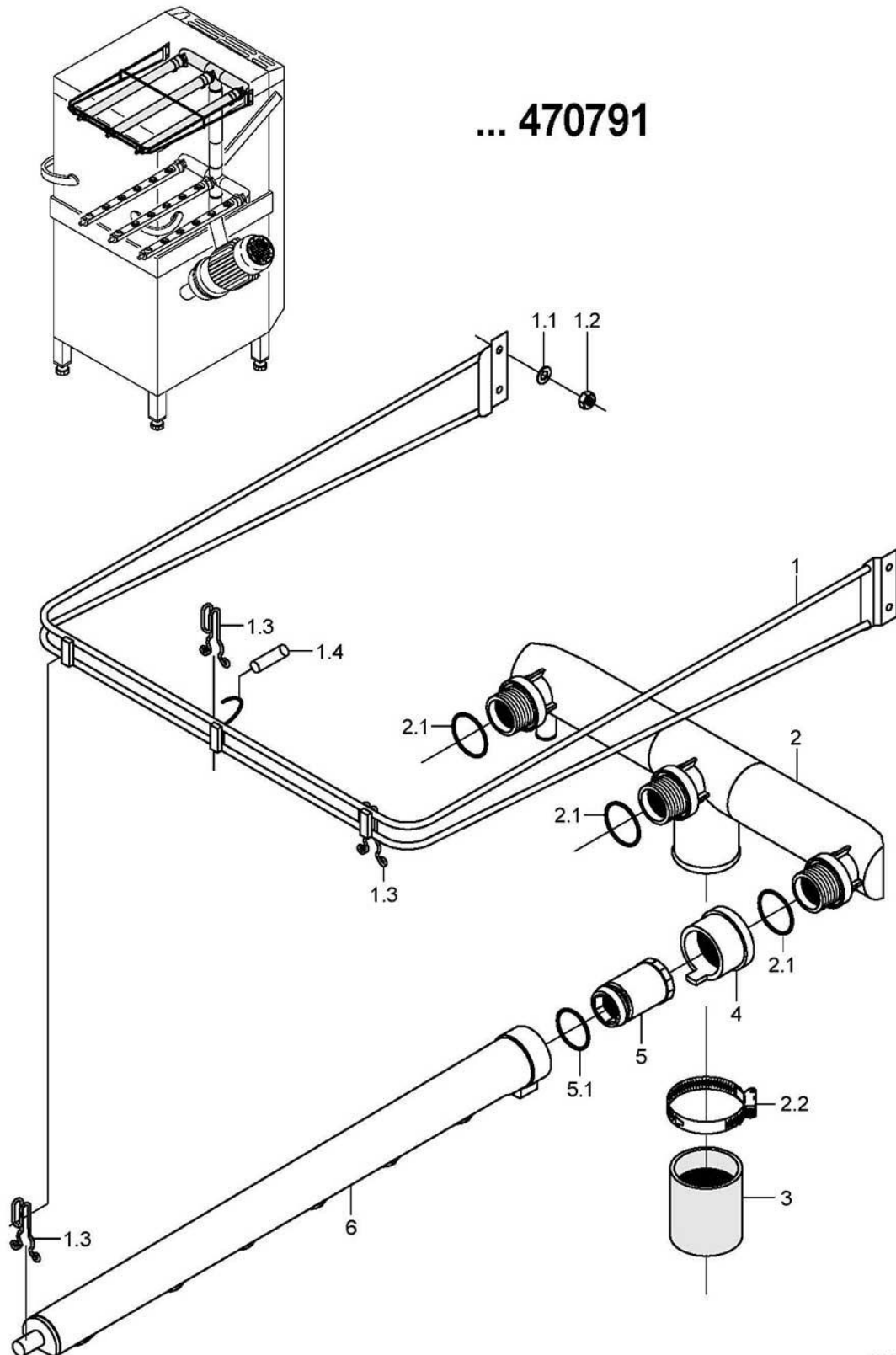


61005370-02

GS 502, GS 515**Wash system, bottom - GS 502, GS 515**

| Item. | Designation | Parts no.: | Pc. | Notes |
|-------|----------------------------------|------------|-----|-------------------------------|
| 1 | Hose elbow; DN36 X 6,0; 74 X 214 | 61005994 | | adapt |
| 2 | Bottom wash distributor cpl. | 61005187 | | to machine no.: 470 791 adapt |
| 2.1 | Hose clamp; D47-67 X 12 | 28 02 115 | 2 | |
| 2.2 | O-ring; 29,5 X 4,5 | 27 07 008 | 3 | |
| 2.3 | Hose clamp; D32-52 X 12 | 28 02 110 | | |
| 3 | Locking ring; D49 X 19,5 | 60002652 | 3 | GS 502 |
| 4 | Locking nut | 60002785 | 3 | incl. item 4.1 |
| 4.1 | Seal ring; D26 X D32,5 X 5,0 | 70009122 | 3 | |
| 5 | Wash arm cpl.; 6 DÜSEN; 580 LG | 61005052 | 3 | GS 502 |
| 6 | Hexagonal nut; M5 SELBSTSICHERND | 21 05 302 | 3 | |
| 7 | Wash arm holder; D36 X 45,5 | 61004969 | 3 | |
| 8 | Setting washer; 5,0 X 40 X 50 | 60002540 | 3 | GS 515 |
| 9 | Washer; D4,3 X D12 X 1,0 | 22 05 300 | | GS 515 |
| 10 | Hexagonal nut; M4 SELBSTSICHERND | 21 05 300 | | GS 515 |
| 11 | Throttle; D12,5 X D22 X 10 | 61005671 | 3 | GS 515 |
| 12 | Wash arm cpl.; 6 DÜSEN; 580 LG | 61005611 | | GS 515 |
| 13 | Hose clamp; D32-52 X 12 | 28 02 110 | | |

... 470791

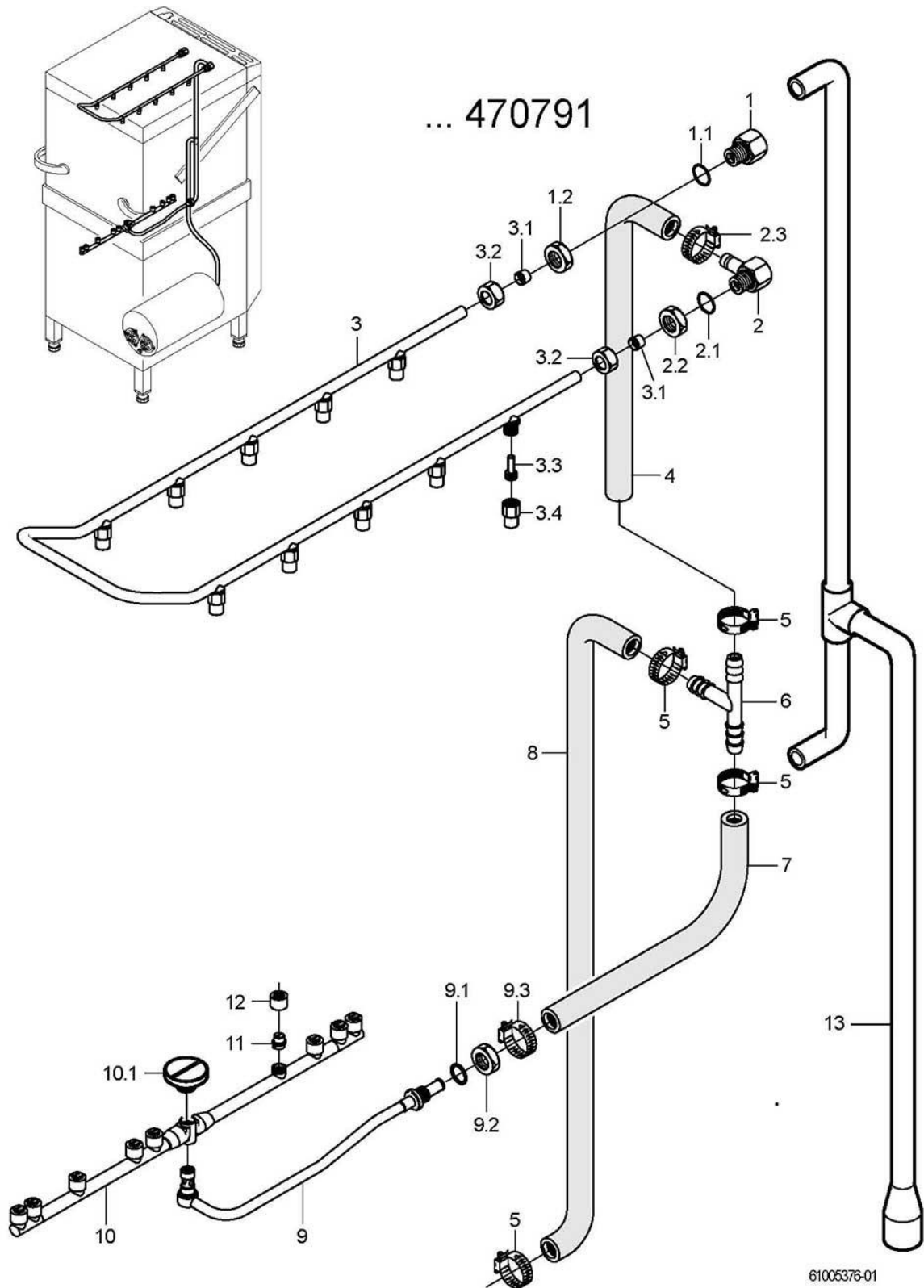


61005371-00

GS 502, GS 515

Wash system, top - GS 502, GS 515 to machine no.: 470 791

| Item. | Designation | Parts no.: | Pc. | Notes |
|-------|----------------------------------|------------|-----|---------------------------------------|
| 1 | Top wash arm support cpl. | 61005188 | | incl. item 1.1 - 1.3; GS 502 |
| 1 | Top wash arm support cpl. | 61005739 | | incl. item 1.1 - 1.3; GS 515 |
| 1.1 | Washer; D6,4 X D18 X 1,6 | 22 05 302 | 4 | |
| 1.2 | Hexagonal nut; M6 SELBSTSICHERND | 21 05 304 | 4 | |
| 1.3 | Spring; D3; 14 X 45 X 68,26 | 61004885 | 3 | |
| 1.4 | Hose; DN5 X 1,5 | 40 01 024 | | 70 mm; "By-the-metre" goods |
| 2 | Top wash distributor cpl. | 61005189 | | incl. item 2.1 - 2.2 |
| 2.1 | O-ring; 29,5 X 4,5 | 27 07 008 | 3 | |
| 2.2 | Hose clamp; D47-67 X 12 | 28 02 115 | | |
| 3 | Industrial hose; DN50 X 6,0 | 40 02 006 | | 80 mm; "By-the-metre" goods; GS 502 |
| 3 | Industrial hose; DN50 X 6,0 | 40 02 006 | | 110 mm; "By-the-metre" goods ; GS 515 |
| 4 | Locking ring; D49 X 39,5 | 61004880 | 3 | |
| 5 | Locking nut cpl. | 61005191 | 3 | incl. item 5.1 |
| 5.1 | Seal ring; D26 X D32,5 X 5,0 | 70009122 | 3 | |
| 6 | Wash arm cpl.; 6 DÜSEN; 580 LG | 61005052 | 3 | |

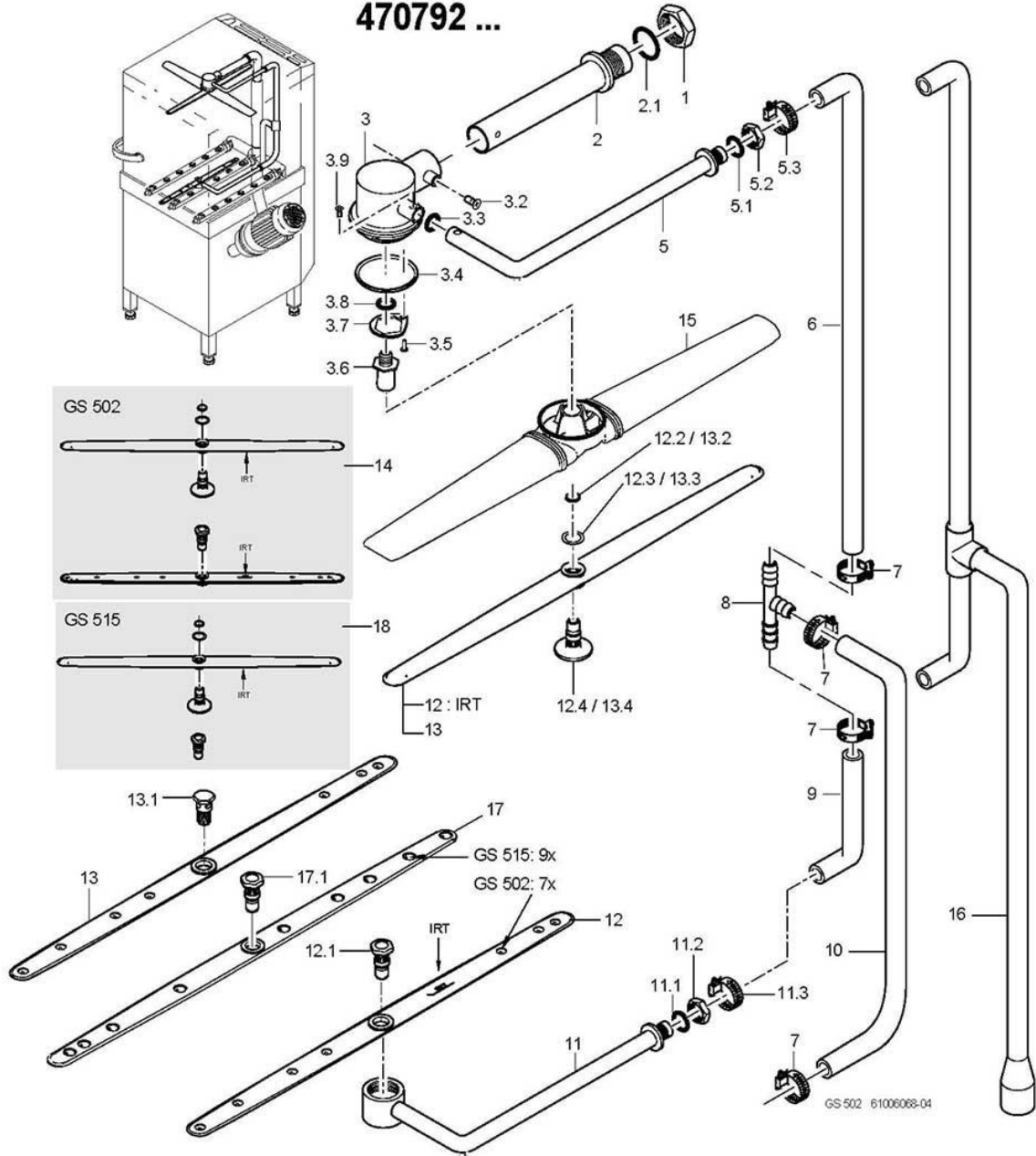


GS 502, GS 515

Rinse system - GS 502, GS 515 to machine no.: 470 791

| Item. | Designation | Parts no.: | Pc. | Notes |
|-------|--|------------|-----|--|
| 1 | Nipple cpl. | 61005194 | | incl. item 1.1 - 1.2 |
| 1.1 | O-ring; 20 X 3,5 | 27 07 040 | 1 | |
| 1.2 | Hexagonal nut; G 1/2" X 6,0; SW32 | 61005721 | | |
| 2 | Nipple cpl. | 61005195 | | incl. item 2.1 – 2.3 |
| 2.1 | O-ring; 20 X 3,5 | 27 07 040 | 1 | |
| 2.2 | Hexagonal nut; G 1/2" X 6,0; SW32 | 61005721 | | |
| 2.3 | Hose clamp; D12-22 X 9 | 28 02 105 | | |
| 3 | Ring pipeline cpl. | 61005196 | | incl. item 3.1 – 3.4 |
| 3 | Ring pipeline cpl. | 61005197 | | incl. item 3.1 – 3.4 ; glass rinsing kit |
| 3.1 | Cutting ring; D12 X 10 | 29 07 304 | 2 | |
| 3.2 | Union nut; G 1/2" X D12,2; SW24 | 29 07 301 | 2 | |
| 3.3 | Spray jet swirl; D8 X 18,8 | 65002764 | 10 | |
| 3.4 | Spray jet cap; D14,6 X 21 | 65002765 | 10 | |
| 4 | Hose bend; DN12,5 X 4,0 | 40 03 050 | | adapt GS 502 |
| 4 | Industrial hose; DN13 X 3,5 | 40 02 035 | | 410mm; Metre item, GS 515 |
| 5 | Hose clamp; D12-22 X 9 | 28 02 105 | | |
| 5 | Hose clamp; D24-44 X 12 | 28 02 309 | | Pressure-independent boiler |
| 6 | Hose T-connecting piece; D15 X D15 X D15 | 70010598 | | |
| 7 | Hose bend; DN12,5 X 4,0 | 40 03 050 | | adapt |
| 8 | Industrial hose; DN13 X 3,5 | 40 02 035 | | 800 mm; "By-the-metre" goods |
| 9 | Revolving arm holder cpl. | 61005198 | | incl. item 9.1 – 9.3 |
| 9.1 | O-ring; 20 X 3,5 | 27 07 040 | | |
| 9.2 | Hexagonal nut; G 1/2" X 8,0; SW27 | 30 09 201 | | |
| 9.3 | Hose clamp; D12-22 X 9 | 28 02 105 | | |
| 10 | Revolving rinse arm kit; 7 DÜSEN | 61006244 | | GS 502 |
| 10 | Revolving rinse arm kit; 9 DÜSEN | 65005499 | | GS 515 |
| 10.1 | Screw cap; M10 X D7,8 X D24 | 61005681 | | |
| 11 | Fan jet, size 5; D11,2 X 10 | 62002820 | 9 | |
| 12 | Union nut; M14 X D9,1; D17 | 62002812 | 9 | |
| 13 | Rinse manifold | 61006333 | | Pressure-independent boiler |

470792 ...



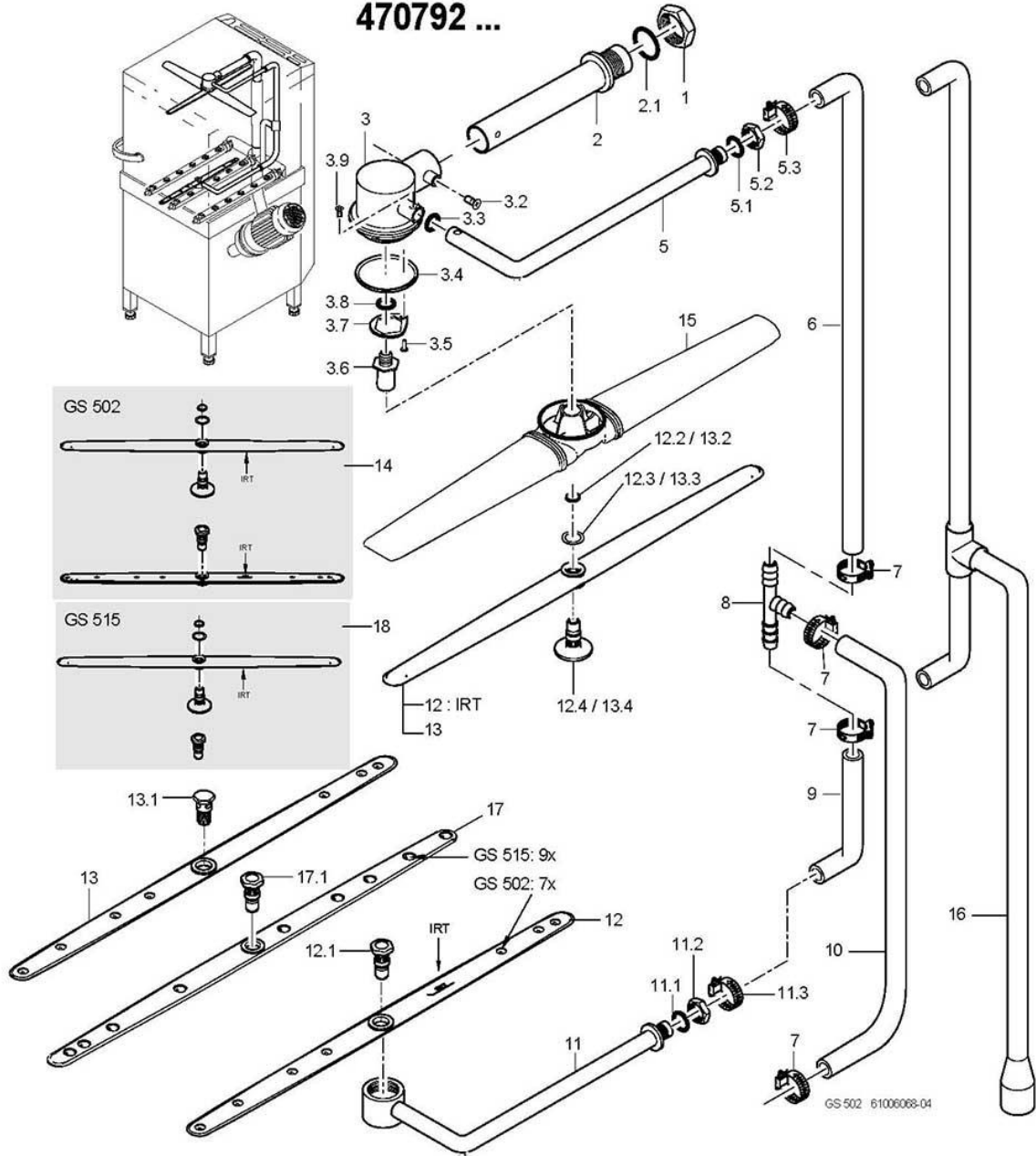
GS 502, GS 515

Washing/rinsing system - GS 502, GS 515 From machine no.: 470 792

| Item. | Designation | Parts no.: | Pc. | Notes |
|-------|--|------------|-----|---|
| 1 | Hexagon nut; G1 1/4" X 11,5; SW50 | 61005976 | | |
| 2 | Wash pipe assembly | 61006064 | | |
| 2.1 | O-ring; 42 X 3 | 27 07 073 | | incl. item 2.1 |
| 3 | Revolving arm kit | 61006065 | | incl. item 3.1 - 3.9 |
| 3.2 | PT screw; KA 50 X 13 | 20 17 306 | 2 | |
| 3.3 | O-ring; 12 X 1,5 | 27 07 072 | | |
| 3.4 | Seal ring; D53,4 X D57,8 X 2,0 | 60003021 | | |
| 3.5 | Sheet metal screw; ST 3,5 X 9,5 | 20 20 305 | | |
| 3.6 | Revolving arm socket; D7,9 X 45,7; M12 | 61006241 | | |
| 3.7 | Washer; 1,5 X 28 X 32,3 | 61006076 | | |
| 3.8 | O-ring; 10 X 2,0 | 27 07 080 | | |
| 3.9 | Sheet metal screw; ST 2,9 X 6,5 | 20 20 308 | | |
| 5 | Rinse inlet set | 61006066 | | incl. item 5.1 – 5.3 |
| 5.1 | O-ring; 20 X 3,5 | 27 07 040 | | |
| 5.2 | Hexagonal nut; G 1/2" X 8,0; SW27 | 30 09 201 | | |
| 5.3 | Hose clamp; D14-22 X 12 | 28 02 138 | | |
| 6 | Hose bend; DN12,5 X 4,0 | 40 03 050 | | Pressure boiler |
| 7 | Hose clamp; D12-22 X 9 | 28 02 105 | | |
| 8 | Hose T-connecting piece; D15 X D15 X D15 | 70010598 | | |
| 9 | Hose bend; DN12,5 X 4,0 | 40 03 050 | | Pressure boiler |
| 10 | Industrial hose; DN13 X 3,5 | 40 02 035 | | 800 mm; Metre item; pressure boiler |
| 11 | Revolving arm kit | 61006067 | | incl. item 11.1 - 11.3 |
| 11.1 | O-ring; 20 X 3,5 | 27 07 040 | | |
| 11.2 | Hexagonal nut; G 1/2" X 8,0; SW27 | 30 09 201 | | |
| 11.3 | Hose clamp; D14-22 X 12 | 28 02 138 | | |
| 12 | Rotating rinse arm, min. 2.4 l | 61006612 | | From machine no.: 548 482; For machines with reduced rinse water volume |
| 12.1 | Rotary arm screw; M12 X 36; SW19 | 60004123 | | |
| 12.2 | Locking ring; D12 X 0,8 | 60003023 | | |
| 12.3 | Washer; D14,10 X D20 X 1,0 | 60003487 | | |
| 12.4 | Rotary arm screw; M12 X 34,9; D35 | 60004125 | | |

For missing items, see next page

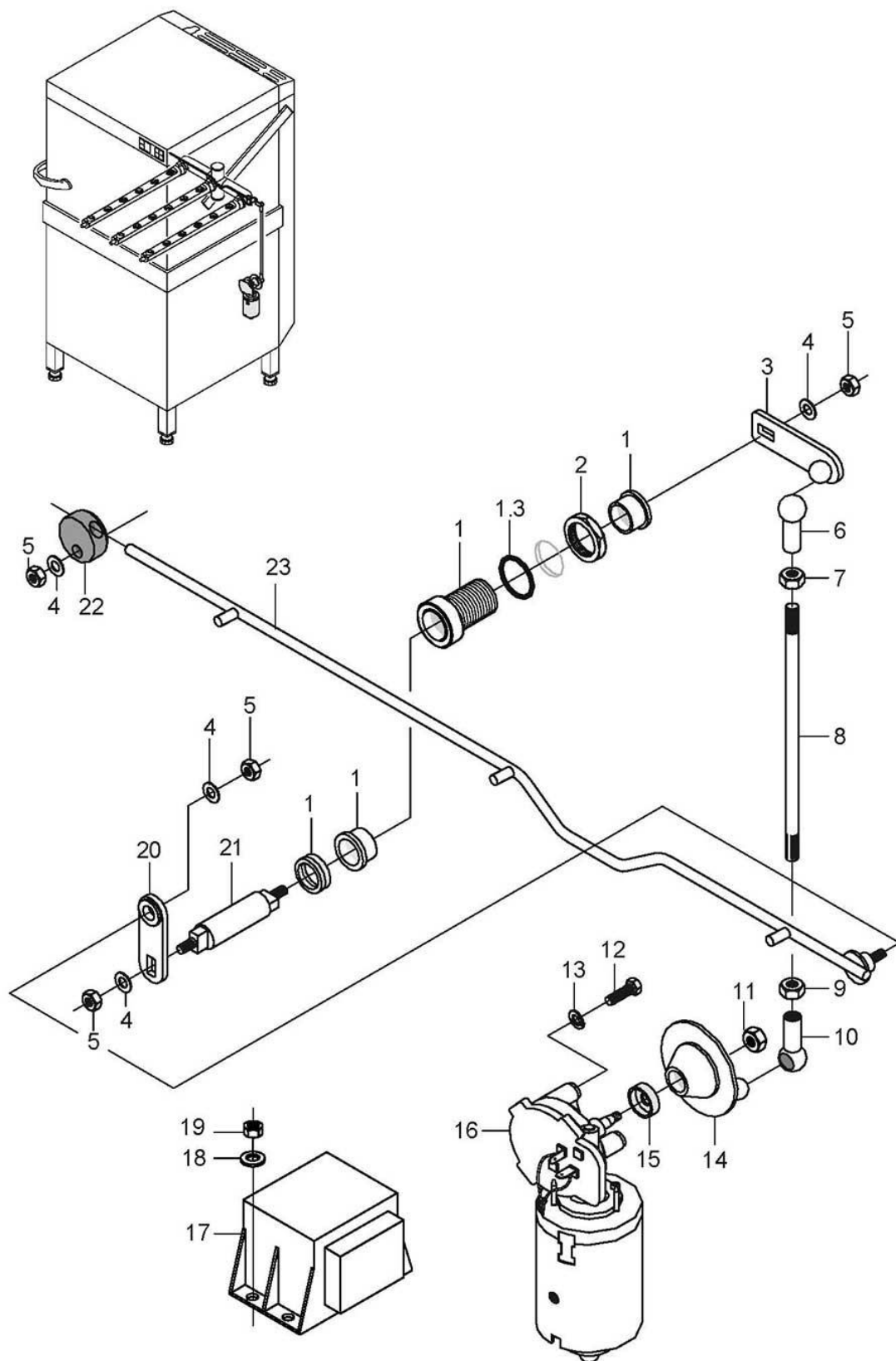
470792 ...



GS 502, GS 515

Washing/rinsing system - GS 502, GS 515 From machine no.: 470 792

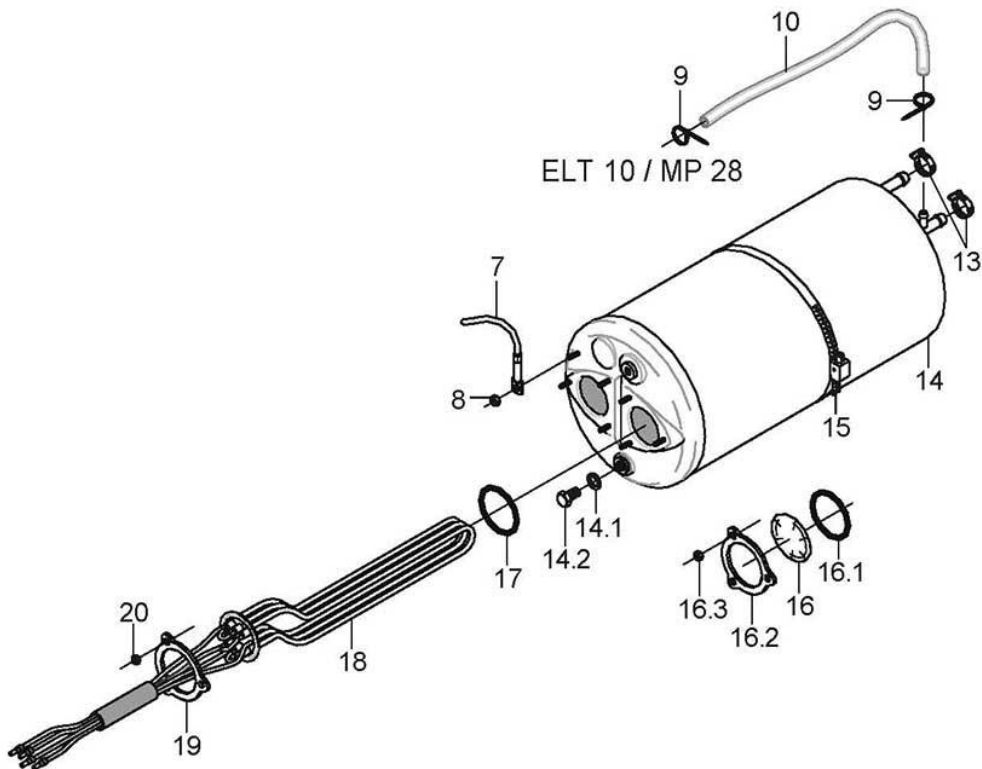
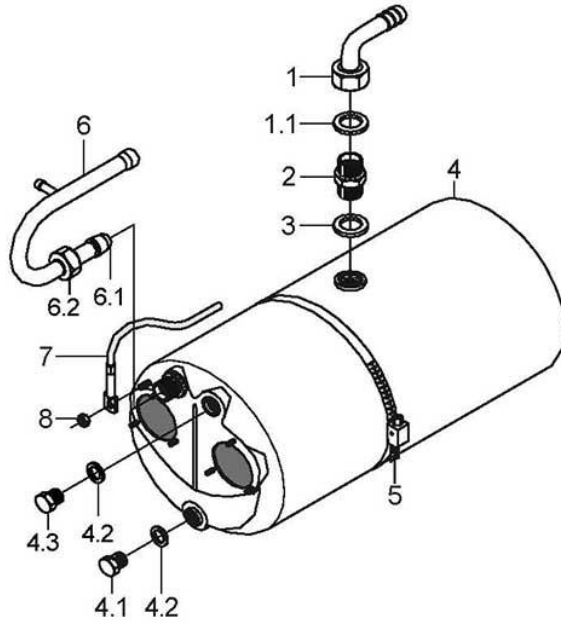
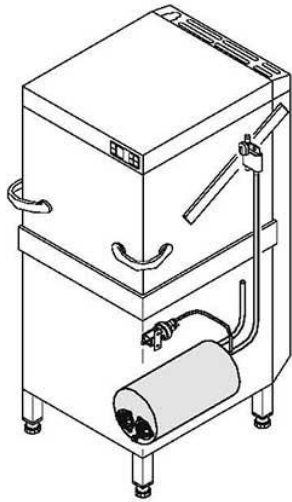
| Item. | Designation | Parts no.: | Pc. | Notes |
|-------|--|------------|-----|--|
| 13 | Rinsing wash arm set; 7 DÜSEN | 60003515 | | to machine no.: 548 482 |
| 13.1 | Revolving arm screw; M12 X 30; SW19 | 60003045 | | no longer deliverable; up to mach. no.: 496 938 replaced by 60003515 |
| 13.1 | Rotary arm screw; M12 X 36; SW19 | 60004123 | | From machine no.: 496 939 |
| 13.2 | Locking ring; D12 X 0,8 | 60003023 | | |
| 13.3 | Washer; D14,10 X D20 X 1,0 | 60003487 | | |
| 13.4 | Revolving arm screw; M12 X 32,3; D25 | 60003821 | | no longer deliverable; up to mach. no.: 496 938 replaced by 60003515 |
| 13.4 | Rotary arm screw; M12 X 34,9; D35 | 60004125 | | From machine no.: 496 939 |
| 14 | Rotating rinse arm conversion, min. 2.4 l; GS215; GS300; GS502 | 61006613 | | to machine no.: 548 482; For machines with non pressurised boilers |
| 15 | Set of rotary arms washing | 60003520 | | |
| 16 | Rinse manifold | 61006333 | | Pressure-independent boiler |
| 17 | Revolving rinse arm kit, 9 DÜSEN | 65005462 | | GS 515 |
| 17.1 | Rotary arm screw; M12 X 36; SW19 | 60004123 | | |
| 18 | Rotating rinse arm conversion, min. 2.4 l; GS515 | 61006619 | | to machine no.: 548 482; For machines with non pressurised boilers |



61005716-00

GS 502, GS 515**Reversing - GS 515**

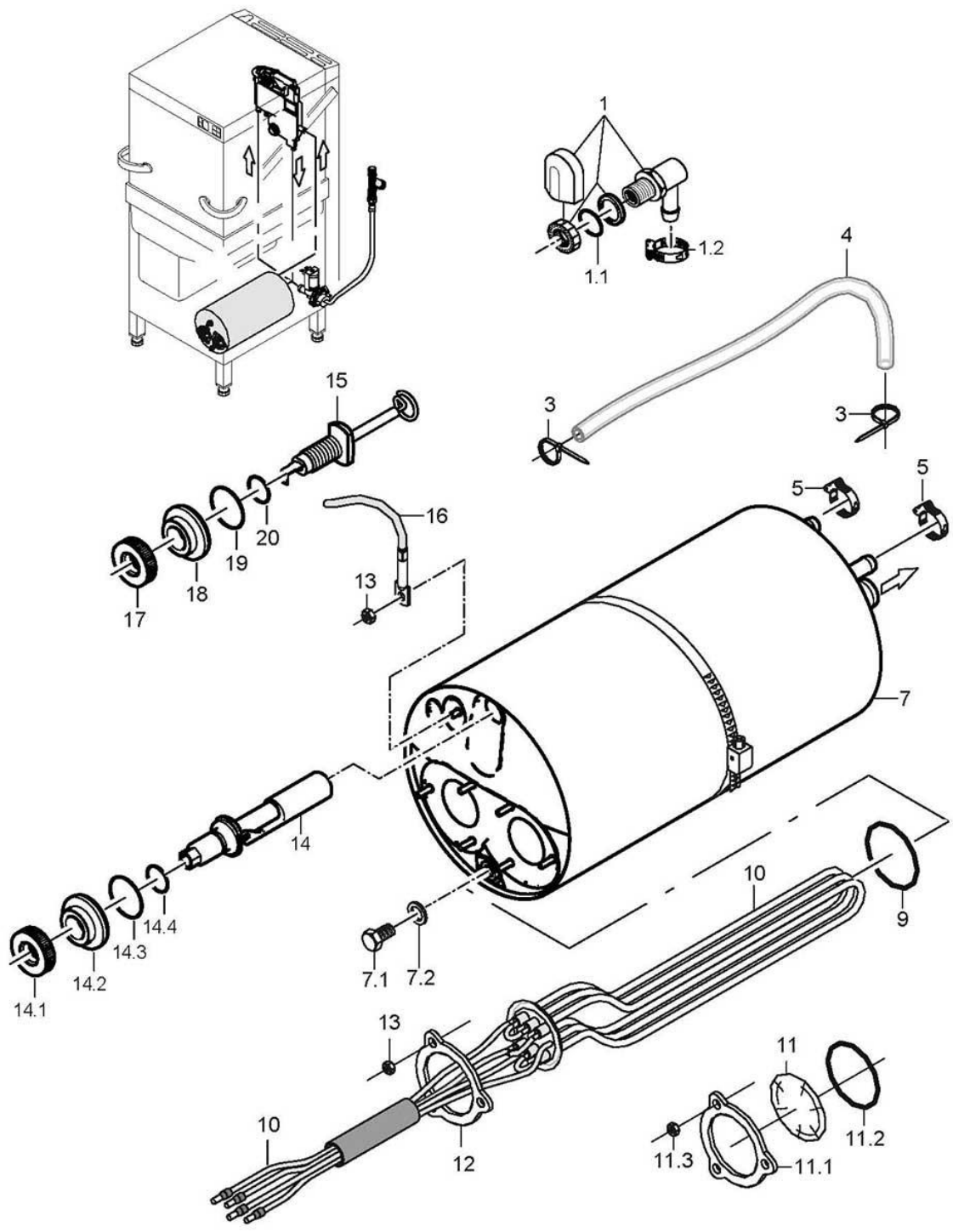
| Item. | Designation | Parts no.: | Pc. | Notes |
|-------|-----------------------------------|------------|-----|----------------|
| 1 | Bearing bush cpl. | 65004835 | | incl. item 1.1 |
| 1.1 | O-ring; 26 X 2,5 | 27 07 062 | | |
| 2 | Hex nut; G 3/4" X 5,0; SW32 | 61002626 | | |
| 3 | Lever | 61005483 | | |
| 4 | Washer; D6,4 X D12,5 X 1,6 | 22 01 302 | | |
| 5 | Hexagonal nut; M6 SELBSTSICHERND | 21 05 304 | | |
| 6 | Ball socket right; M8 | 28 05 500 | | |
| 7 | Hexagonal nut; M8 | 21 01 305 | | |
| 8 | Threaded rod; M8 X 265 | 61005486 | | |
| 9 | Hexagonal nut; M8 LH | 21 01 001 | | |
| 10 | Ball socket left; M8-LH | 28 05 501 | | |
| 11 | Hexagonal nut; M8 SELBSTSICHERND | 21 05 306 | | |
| 12 | Hexagon screw; M6 X 16; A70 | 20 01 306 | | |
| 13 | Spring washer; B6 | 23 03 300 | | |
| 14 | Crank disk cpl. | 60001297 | | |
| 15 | Radial shaft seal; D9,7 X D18 X 6 | 27 10 022 | | |
| 16 | Geared motor set | 61006607 | | |
| 17 | Transformer; 230V/1/50HZ | 31 15 020 | | |
| 18 | Washer; D4,3 X D12 X 1,0 | 22 05 300 | | |
| 19 | Hexagonal nut; M4 SELBSTSICHERND | 21 05 300 | | |
| 20 | Reversing lever | 61006181 | | |
| 21 | Reversing shaft; D12 X 66,6 | 60002385 | | |
| 22 | Bearing; D26 X 12 | 61005648 | | |
| 23 | Connecting rod cpl. | 61005571 | | |
| o.P. | Reversal unit wire set; 0,75QMM | 61005672 | | |



61005373-01

GS 502, GS 515**Pressure boiler - GS 502, GS 515**

| Item. | Designation | Parts no.: | Pc. | Notes |
|-------|--|------------|-----|---|
| 1 | Hose nipple, angled; D18 | 60002474 | | incl. item 1.1 to machine no.: 431 163 |
| 1.1 | Gasket; D16 X D24 X 3,0 | 80002241 | | |
| 2 | Reducing nipple; G 1/2" X G 3/4"; SW27 | 61003430 | | to machine no.: 431 163 |
| 3 | Gasket; D21 X D28 X 2,0 | 27 09 011 | | to machine no.: 431 163 |
| 4 | Boiler compl. | 61005192 | | incl. item 4.1 - 4.3 For installation see item 14 |
| 4.1 | Hexagon screw; M10 X 16; A70 | 20 01 352 | | to machine no.: 431 163 |
| 4.2 | Gasket; D10 X D18 X 1,5 | 27 03 003 | | to machine no.: 431 163 |
| 4.3 | Locking screw; M9 X 1 X 14 | 70003890 | | to machine no.: 431 163 |
| 5 | Hose clamp; D50-215 X 12 | 28 02 126 | | |
| 6 | Boiler inlet elbow, cpl. | 55 09 054 | | incl. item 6.1 - 6.2 to machine no.: 431 163 |
| 6.1 | Cutting ring; D12 X 10 | 29 07 300 | | to machine no.: 431 163 |
| 6.2 | Union nut; G 1/2" X D12,2; SW24 | 29 07 201 | | to machine no.: 431 163 |
| 7 | Thermal sensor kit 1000mm | 80003803 | | with heat-conducting foil |
| 8 | Ratchet nut; M5 | 21 01 310 | 3 | |
| 9 | Cable tie; 100 X 2,5 | 31 20 175 | | |
| 10 | Hose; DN5 X 1,5 | 40 01 024 | | 700 mm; "By-the-metre" goods |
| 13 | Hose clamp; D12-22 X 9 | 28 02 105 | | |
| 14 | Boiler compl. | 61005192 | | incl. item 14.1 – 14.2 |
| 14.1 | Gasket; D10 X D18 X 1,5 | 27 03 003 | | |
| 14.2 | Hexagon screw; M10 X 16; A70 | 20 01 352 | | |
| 15 | Hose clamp; D50-215 X 12 | 28 02 126 | | |
| 16 | Blind flange | 60002787 | | incl. item 16.1 – 16.3 |
| 16.1 | O-ring; 43 X 7,0 | 27 07 088 | | |
| 16.2 | Locking washer; D43 X D80 X 4,0 | 01 17 003 | | |
| 16.3 | Hexagonal nut; M5 | 21 01 203 | 3 | |
| 17 | O-ring; 43 X 7,0 | 27 07 088 | 2 | |
| 18 | 6.0 kW heating element with fuse; 3 X 400V | 31 03 150 | | |
| 18 | 6.0 kW heating element with fuse; 3 X 420V | 31 03 152 | | |
| 18 | 6.0 kW heating element with fuse; 3 X 230V | 31 03 158 | | |
| 18 | 6.0 kW heating element with fuse; 3 X 200V | 31 03 151 | | |
| 18 | 6.0 kW heating element with fuse; 3 X 440V | 31 03 153 | | |
| 19 | Locking washer; D43 X D80 X 4,0 | 01 17 003 | | |
| 20 | Hexagonal nut; M5 | 21 01 203 | | |

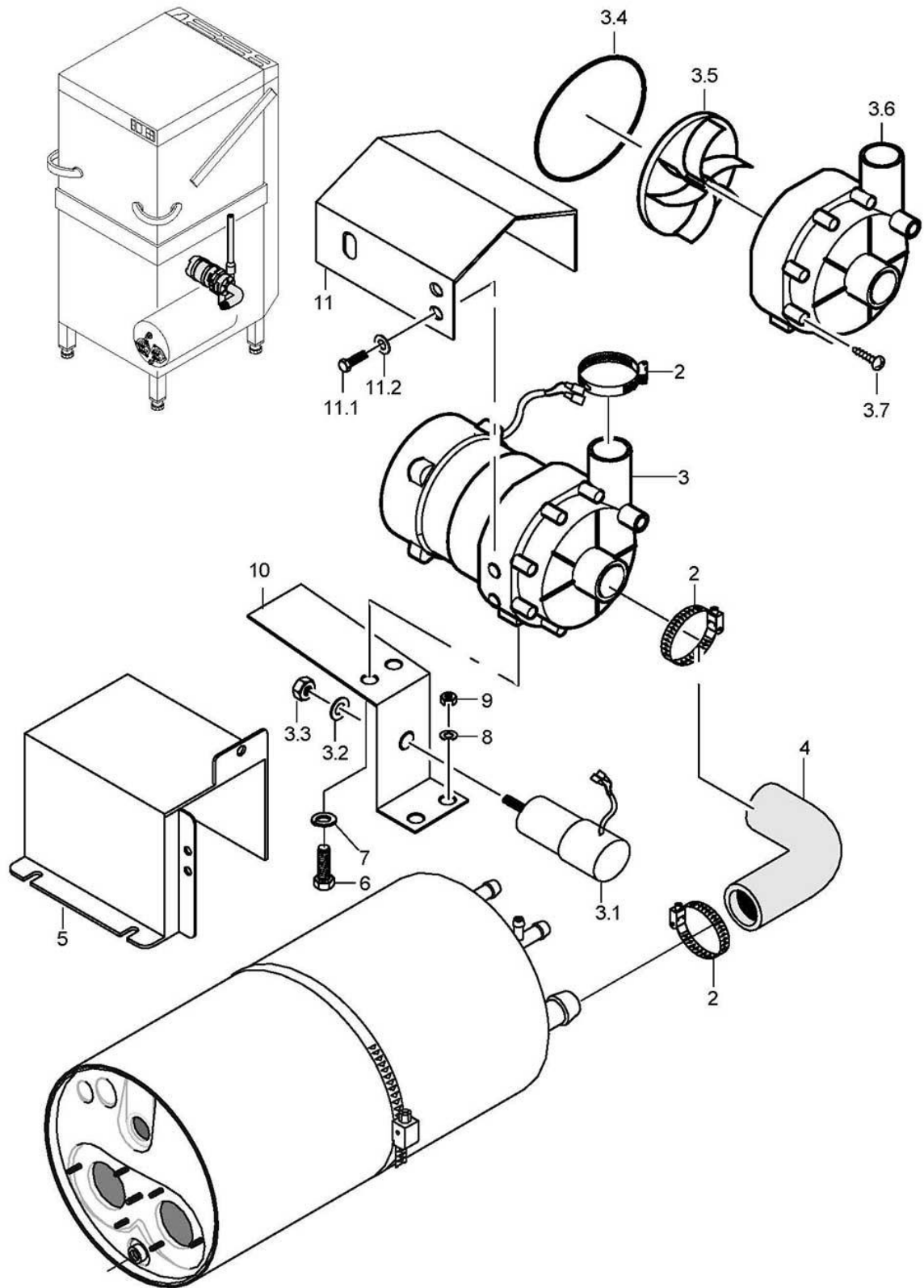


61006374-04

GS 502, GS 515

Pressure-independent boiler - GS 502, GS 515

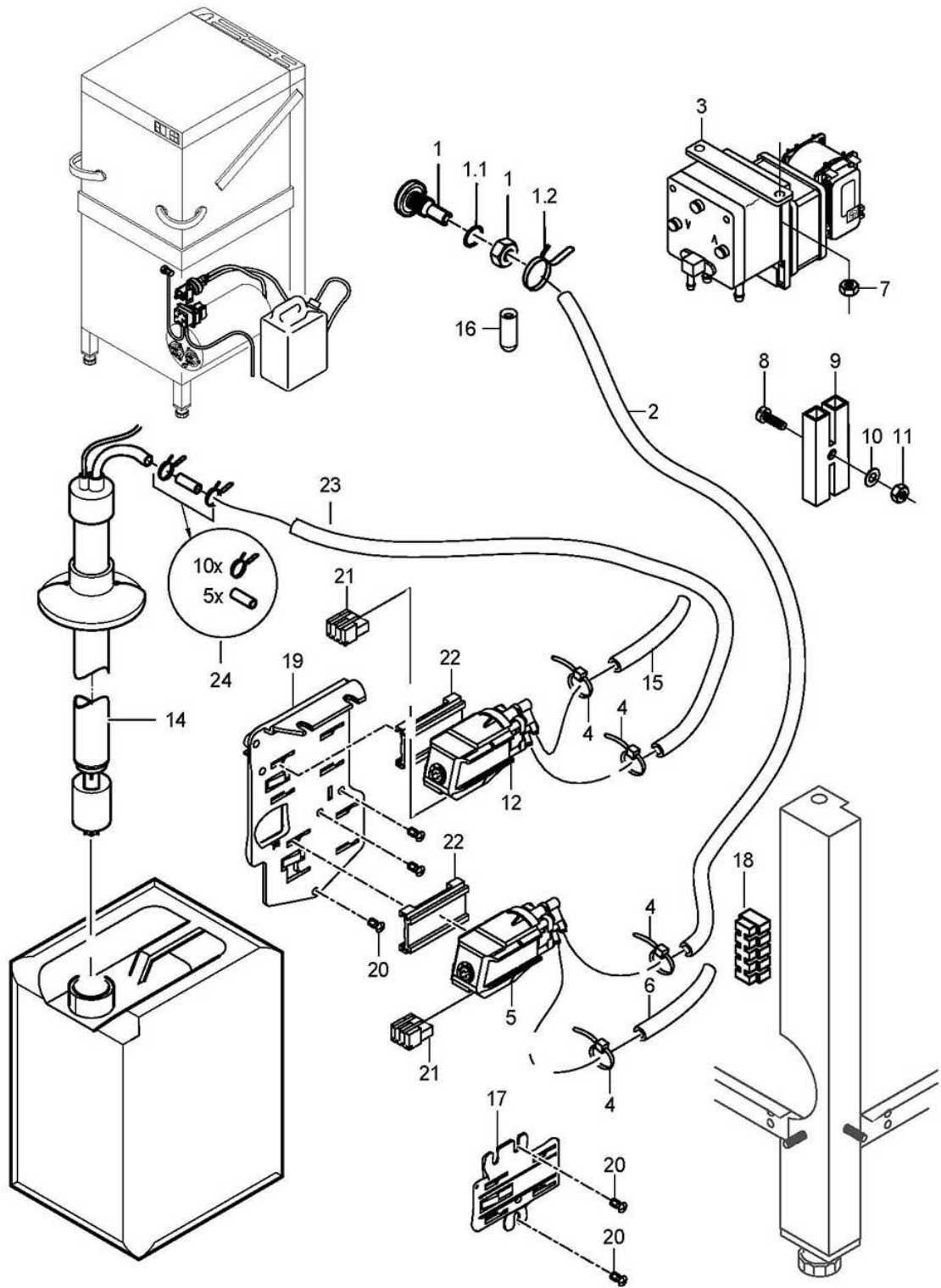
| Item. | Designation | Parts no.: | Pc. | Notes |
|-------|--|------------|-----|---|
| 1 | Water inlet, 3-part set | 55 31 007 | | to machine no.: 470 791 |
| 1.1 | Gasket; D21 X D28 X 2,0 | 27 09 011 | | replaced by 55 31 007 |
| 1.1 | Gasket; D20,5 X D28,5 X 2,0 | 27 01 002 | | replaced by 55 31 007 |
| 1.1 | O-ring; 20 X 3 | 27 07 031 | | |
| 1.2 | Hose clamp; D12-22 X 9 | 28 02 105 | | |
| 3 | Cable tie; 100 X 2,5 | 31 20 175 | 3 | |
| 4 | Hose; DN5 X 1,5 | 40 01 024 | | 700 mm; "By-the-metre" goods |
| 5 | Hose clamp; D12-22 X 9 | 28 02 105 | | |
| 7 | Pressureless boiler cpl. | 61005193 | | to machine no.: 479 002 |
| 7 | Pressure-independent boiler | 61006113 | | From machine no.: 479 003 |
| 7.1 | Hexagon screw; M10 X 16; A70 | 20 01 352 | | |
| 7.2 | Gasket; D10 X D18 X 1,5 | 27 03 003 | | |
| 8 | Hose clamp; D50-215 X 12 | 28 02 126 | | |
| 9 | O-ring; 43 X 7,0 | 27 07 088 | 2 | |
| 10 | 6.0 kW heating element with fuse; 3 X 400V | 31 03 150 | | |
| 10 | 6.0 kW heating element with fuse; 3 X 420V | 31 03 152 | | |
| 10 | 6.0 kW heating element with fuse; 3 X 420V | 31 03 182 | | Australia |
| 10 | 6.0 kW heating element with fuse; 3 X 230V | 31 03 158 | | |
| 10 | 6.0 kW heating element with fuse; 3 X 200V | 31 03 151 | | |
| 10 | 6.0 kW heating element with fuse; 3 X 440V | 31 03 153 | | |
| 10 | 3 kW heating element with fuse; 3 X 400V | 31 03 154 | | |
| 10 | 3 kW heating element with fuse; 3 X 420V | 31 03 156 | | |
| 10 | 3 kW heating element with fuse; 3 X 420V | 31 03 183 | | Australia |
| 10 | 3 kW heating element with fuse; 3 X 230V | 31 03 166 | | |
| 10 | 3 kW heating element with fuse; 3 X 200V | 31 03 155 | | |
| 10 | 3 kW heating element with fuse; 3 X 440V | 31 03 157 | | |
| 11 | Blind flange | 60002787 | | incl. item 11.1 - 11.3 |
| 11.1 | Locking washer; D43 X D80 X 4,0 | 01 17 003 | | |
| 11.2 | O-ring; 43 X 7,0 | 27 07 088 | | |
| 11.3 | Hexagonal nut; M5 | 21 01 203 | 3 | |
| 12 | Locking washer; D43 X D80 X 4,0 | 01 17 003 | | |
| 13 | Ratchet nut; M5 | 21 01 310 | 3 | |
| 14 | Floating switch installation set | 55 28 255 | | |
| 14.2 | Ring; D14,3 X D32 X 11 | 60003872 | | |
| 14.1 | Nut; M14 X 2, D26,8 X 8 | 60003989 | | |
| 14.3 | O-ring; 23 X 3,5 | 27 07 093 | | |
| 14.4 | O-ring; 11,11 X 1,78 | 27 07 079 | | |
| 15 | Floating switch installation set | 55 28 255 | | Replacement for: 5528292 (Built-in electrode) |
| 15.1 | Nut; M14 X 2, D26,8 X 8 | 60003989 | | |
| 15.2 | Ring; D14,3 X D32 X 11 | 60003872 | | |
| 15.3 | O-ring; 23 X 3,5 | 27 07 093 | | |
| 15.4 | O-ring; 11,11 X 1,78 | 27 07 079 | | |
| 17 | Thermal sensor kit 1000mm | 80003803 | | with heat-conducting foil |
| 18 | Nut; M14 X 2, D26,8 X 8 | 60003989 | | |
| 19 | Ring; D14,3 X D32 X 11 | 60003943 | | |
| 20 | O-ring; 24 X 3,0 | 27 07 087 | | |
| 21 | O-ring; 11,11 X 1,78 | 27 07 079 | | |
| o.P. | Boiler conversion set 12 kW; 3 X 400V | 55 28 266 | | |
| o.P. | Boiler conversion set 12 kW; 3 X 420V | 55 28 267 | | |
| o.P. | Boiler conversion set 12 kW; 3 X 230V | 55 28 268 | | |
| o.P. | Boiler conversion set 12 kW; 3 X 200V | 55 28 269 | | |



61005375-00

GS 502, GS 515**Rinse pump - GS 502, GS 515**

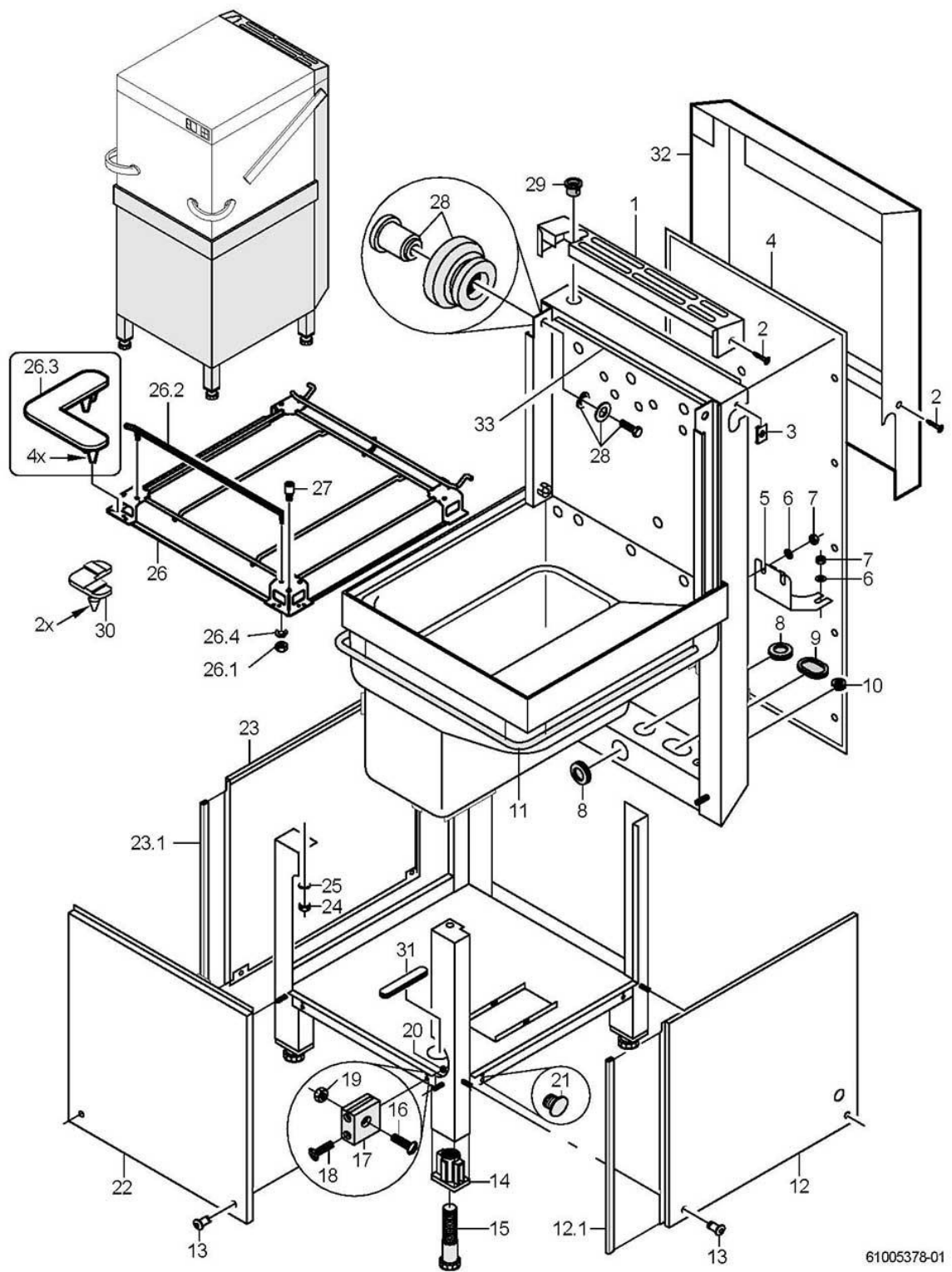
| Item. | Designation | Parts no.: | Pc. | Notes |
|-------|---|------------|-----|---|
| 1 | Reducing hose; DN16 X DN30; 1300 | 40 03 036 | | adapt |
| 2 | Hose clamp; D24-36 X 12 | 28 02 111 | | |
| 3 | Pump 0.270 kW 8/0; 220/240V/1/50HZ | 31 02 477 | | Repair recommended only for pump housings with 7 screws |
| 3 | Pump 0.270 kW 8/0; 200V/1/50HZ | 31 02 446 | | Repair recommended only for pump housings with 7 screws |
| 3 | Pump 0.270 kW 8/0; 200V/1/60HZ | 31 02 447 | | Repair recommended only for pump housings with 7 screws |
| 3 | Pump 0.270 kW 8/0; 220/240V/1/60HZ | 31 02 445 | | Repair recommended only for pump housings with 7 screws |
| 3.1 | Capacitor; 5 MIKRO F | 31 13 099 | | |
| 3.2 | Spring washer; B8 | 23 03 301 | | |
| 3.3 | Hexagonal nut; M8 | 21 01 305 | | |
| 3.4 | Cord; D=78 X 3; SHOR 50-55; | 40 04 023 | | |
| 3.5 | Pump impeller; FÜR UP60/UP30 MIT 50HZ | 31 02 466 | | 50 Hz |
| 3.5 | Pump impeller, installed; FÜR UP60 MIT 60HZ | 31 02 587 | | 60 Hz |
| 3.6 | Pump housing; D=80,5MM | 31 02 519 | | |
| 3.7 | Screw for pump housing | 31 01 118 | 7 | |
| 4 | Hose elbow 90°; DN25X4,0;80X130 | 80001902 | | to machine no.: 430 228 |
| 4 | Hose bend; DN25 X 4,0 | 61005703 | | From machine no.: 430 229 |
| 4 | Hose elbow 90°; DN25X4,0;80X130 | 80001902 | | adapt ; GS 515 |
| 5 | Conversion kit for repositioning rinse pump | 55 28 274 | | to machine no.: 430 228 |
| 6 | Hexagon screw; M6 X 10; A70 | 20 01 332 | | |
| 7 | Spring washer; B6 | 23 03 300 | | |
| 8 | Washer; D5,3 X D15 X 1,2 | 22 05 301 | 2 | |
| 9 | Hexagonal nut; M5 SELBSTSICHERND | 21 05 302 | 2 | |
| 10 | Bracket; 2,0 X 45 X 177,5 | 61005696 | | From machine no.: 430 229 |
| 11 | Guard plate | 80002255 | | From machine no.: 430 229 |
| 11.1 | Hexagon screw; M6 X 10; A70 | 20 01 332 | 2 | |
| 11.2 | Spring washer; B6 | 23 03 300 | 2 | |



61005377-03

GS 502, GS 515**Dosage - GS 502, GS 515**

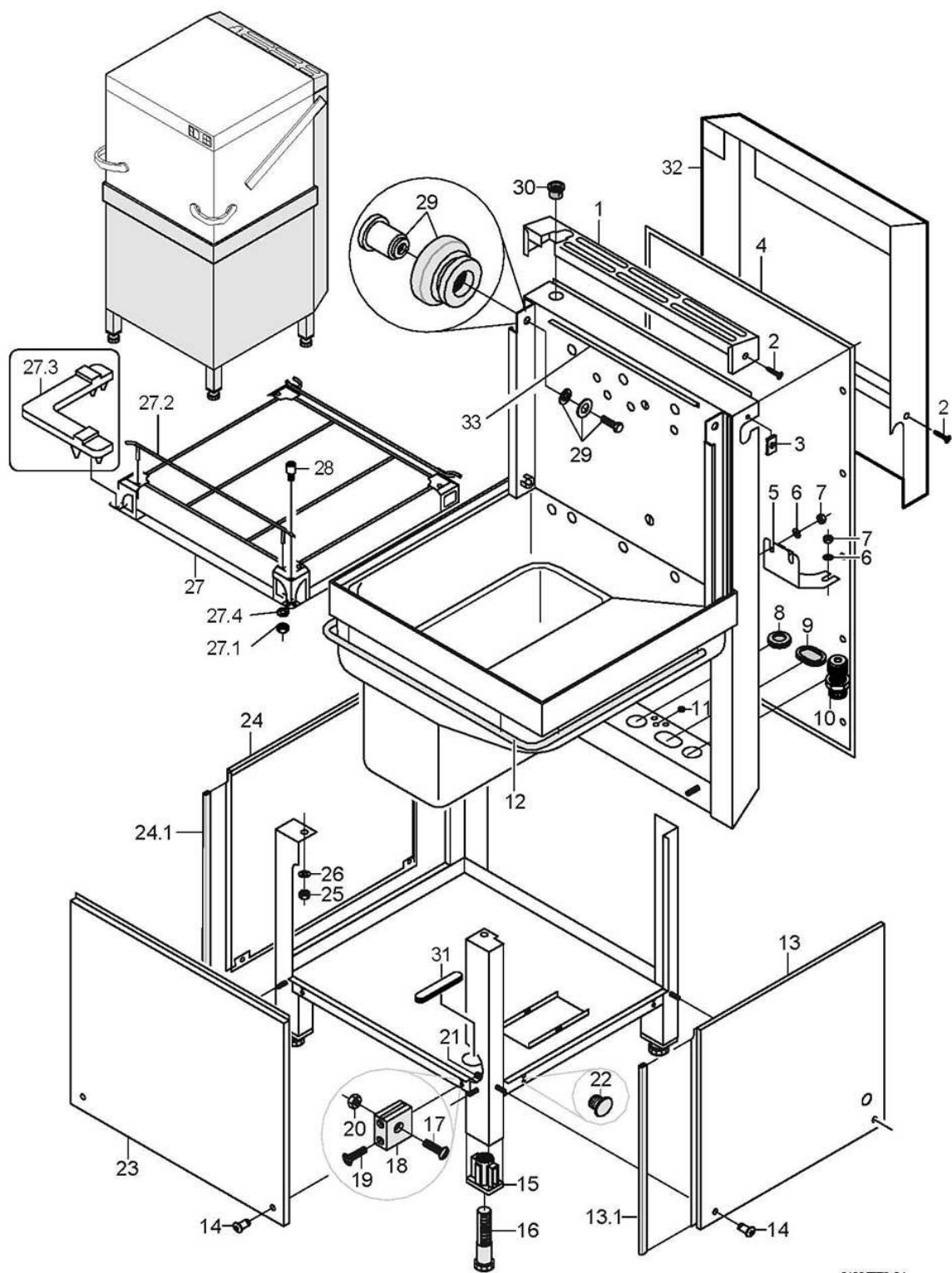
| Item. | Designation | Parts no.: | Pc. | Notes |
|-------|---|------------|-----|--|
| 1 | Dosing nipple set, M10 X 29; SW5 | 61005883 | | incl. item 1.1 - 1.2 |
| 1.1 | O-ring; 10 X 2,5 | 27 07 030 | | |
| 1.2 | Wire hose clamp; D8,6 X 1 | 28 02 348 | | |
| 2 | Hose; DN5 X 1,5 | 40 01 024 | | 300 mm; "By-the-metre" goods |
| 3 | Detergent dosing pump ESP166; 230V/50HZ | 80003328 | | up to WPS 002; Wall installation necessary |
| 3 | Installation kit for detergent dosing device MP28 | 55 28 285 | | from WPS 003; contains all parts for retrofit of detergent dosage unit |
| 4 | Wire hose clamp; D8,6 X 1 | 28 02 348 | | |
| 5 | Fluidos DT "Detergent" kit; 115-240V/50-60HZ | 31 02 597 | | |
| 5 | Fluidos DT "Detergent" retrofit kit | 30000008 | | from WPS 003; contains all parts for retrofit of detergent dosage unit |
| 6 | Hose; DN5 X 1,5 | 40 01 024 | | 3500 mm; "By-the-metre" goods |
| 7 | Hexagonal nut; M4 SELBSTSICHERND | 21 05 300 | 2 | to machine no.: 463 833 |
| 7 | PT screw, KA 50 X 13 | 20 17 306 | 2 | From machine no.: 463 834 |
| 8 | Cylinder head screw, M3 X 16 | 20 09 205 | | to machine no.: 463 833 |
| 9 | Coupler piece, insulated; 250V;20AWG;25A;2-POLIG | 31 12 021 | | to machine no.: 463 833 |
| 10 | Washer; D3,2 X D6 X 0,5 | 22 02 201 | | to machine no.: 463 833 |
| 11 | Hexagonal nut; M3 | 21 01 301 | | to machine no.: 463 833 |
| 12 | ELT 10 replacement set | 55 28 278 | | to machine no.: 464 394 |
| 12 | Fluidos DB "Rinse aid" kit; 115-240V/50-60HZ | 31 02 598 | | From machine no.: 464 395 |
| 14 | | 30000011 | | incl. item 14.1 – 14.2 |
| 15 | Hose; DN5 X 1,5 | 40 01 024 | | 700 mm; "By-the-metre" goods |
| 16 | End cap; D5,7 X 25,4 | 35 06 180 | | |
| 17 | Bracket; 75 X 82,5 | 80002906 | | From machine no.: 463 834 |
| 18 | Binding post; 5-POLIG; 6QMM; 56,5LG | 31 09 230 | | From machine no.: 463 834 |
| 19 | Adapter plate; 1,5 X 80 X 100 | 60003688 | | |
| 20 | PT screw, KB 50 X 16 | 20 17 301 | 3 | |
| 21 | Macro-module plug; RAST5;4-POLIG UNCOD. | 31 12 094 | | |
| 22 | Adapter; 11,4 X 33,5 X 57,5 | 80003775 | | From machine no.: 1002078 |
| 23 | Hose; DN5 X 1,5 | 40 01 027 | | 1000 mm; "By-the-metre" goods |
| 24 | | 30000012 | | |



61005378-01

GS 502, GS 515**Chassis, container and panelling - GS 502**

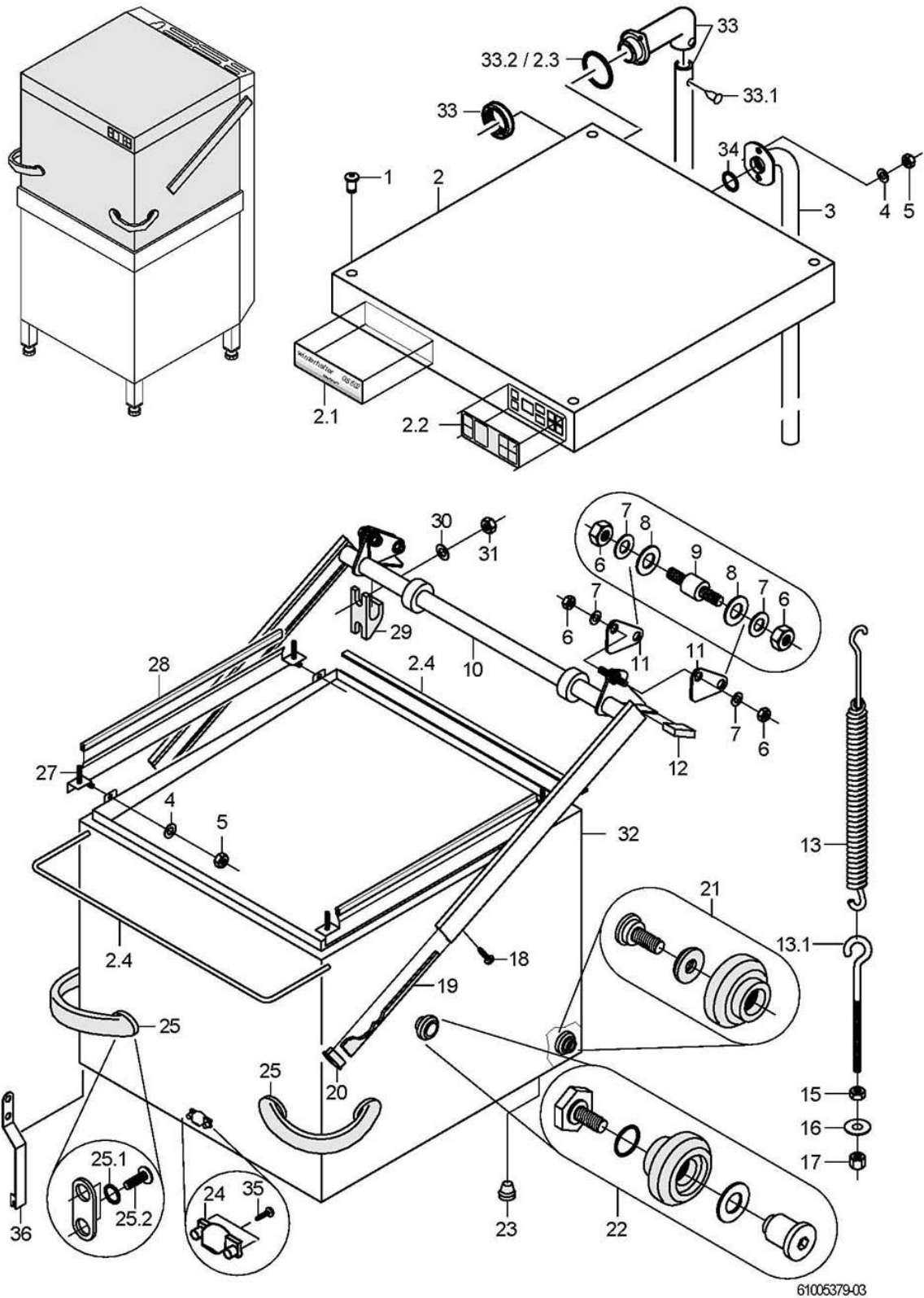
| Item. | Designation | Parts no.: | Pc. | Notes |
|-------|---|------------|-----|--|
| 1 | Top panelling; 1,0 X 276,6 X 851,16 | 61004865 | | |
| 2 | Sheet metal screw; ST 3,9 X 13 | 20 20 310 | 12 | |
| 3 | Sheet metal nut; B 3,9 | 21 17 301 | 12 | |
| 4 | Rear wall panelling; 0,8 X 608 X 1210,5 | 61004902 | | |
| 5 | Bracket; 1,5 X 149,9 X 210 | 61005566 | | |
| 6 | Washer; D6,4 X D18 X 1,6 | 22 05 302 | 4 | |
| 7 | Hexagonal nut; M6 SELBSTSICHERND | 21 05 304 | 4 | |
| 8 | Membrane spout; 6,0 X D57 X D73; D40 | 61004889 | | |
| 9 | Membrane spout; 6,0 X 58 X 76; D17 | 61004891 | | |
| 10 | Hose nozzle; 6,25 X D15; D8,5 | 61004890 | 3 | |
| 11 | Profile seal; D25 | 40 04 016 | | 1890 mm; "By-the-metre" goods |
| 12 | Housing panel right | 61005199 | | to machine no.: 545 310 |
| 12 | Housing panel right | 61006593 | | From machine no.: 545 311 |
| 12.1 | Sealing profile; 1,0 - 2,0MM | 40 04 006 | | 560 mm; "By-the-metre" goods |
| 13 | Truss-head screw with retaining ring; M5 X 15 | 70005097 | 6 | |
| 14 | Threaded insert; RD26 X 1/8; 39 X 59 X85 | 61004787 | 4 | |
| 15 | Foot cleats; RD26 X 1/8; SW40 X 135 | 61004786 | 4 | |
| 16 | Pan head screw; M5 X 16 | 20 10 224 | 4 | |
| 17 | Support; 20 X 7,8 X 27,8 | 35 01 068 | 4 | |
| 18 | Pan head screw; M4 X 30 | 20 10 316 | 8 | |
| 19 | Hexagonal nut; M5 | 21 01 303 | 4 | |
| 20 | Hexagonal nut; M4 | 21 01 302 | 8 | |
| 21 | Cap; D4,8 | 35 03 012 | | |
| 22 | Front panelling cpl. | 61005086 | | |
| 23 | Housing panel left compl. | 61005200 | | incl. item 23.1 |
| 23.1 | Sealing profile; 1,0 - 2,0MM | 40 04 006 | | 560 mm; "By-the-metre" goods |
| 24 | Hexagonal nut; M6 SELBSTSICHERND | 21 05 304 | 4 | |
| 25 | Washer; D6,4 X D18 X 1,6 | 22 05 302 | 4 | |
| 26 | Rack carrier, pre-assembled; KÖRBE 500/WANDABST.170 | 61006030 | | Racks 500x500 Wall distance 170mm |
| 26 | Rack carrier cpl, 420 rack guide; KÖRBE 420/WANDABST.170 | 61005682 | | Racks 420x500mm; Wall distance 170mm |
| 26 | Rack carrier cpl, 420 rack guide; KÖRBE 420/WANDABST.235 | 61005854 | | Racks 420x500mm; Wall distance 235mm |
| 26 | Rack carrier cpl, 420 rack guide; WANDABSTAND 250 MM | 61005264 | | Racks 420x500mm; Wall distance 250mm |
| 26.1 | Hexagonal nut; M6 | 21 01 304 | 2 | |
| 26.2 | Guide rail cpl.; 519,27 LG | 61004267 | | |
| 26.3 | Buffer; 17,5 X 63 X 63 | 61005559 | | |
| 26.4 | Spring washer; B6 | 23 03 300 | 2 | |
| 27 | Guiding pin cpl. | 61005090 | | Corner version |
| 28 | Roller set cpl. | 61005206 | | for both sides; up to mach. no.: 408 497 (ca. 11/99) order 2 bushings 61004843 in addition |
| 29 | Snap-in passage; D23,8 | 31 10 144 | | |
| 30 | Buffer | 61005256 | | |
| 31 | Plug; 6,5 X 14 X 59 | 61006152 | | |
| 32 | Vapour guard GS 502 | 80002998 | | Accessories |
| 33 | Kit steam elbow | 80003539 | | |
| o.P. | Kit working height elevation to 900mm | 80003174 | | |
| o.P. | Kit working height elevation to 950mm | 80003175 | | |



61005773-01

GS 502, GS 515**Chassis, container and panelling - GS 515**

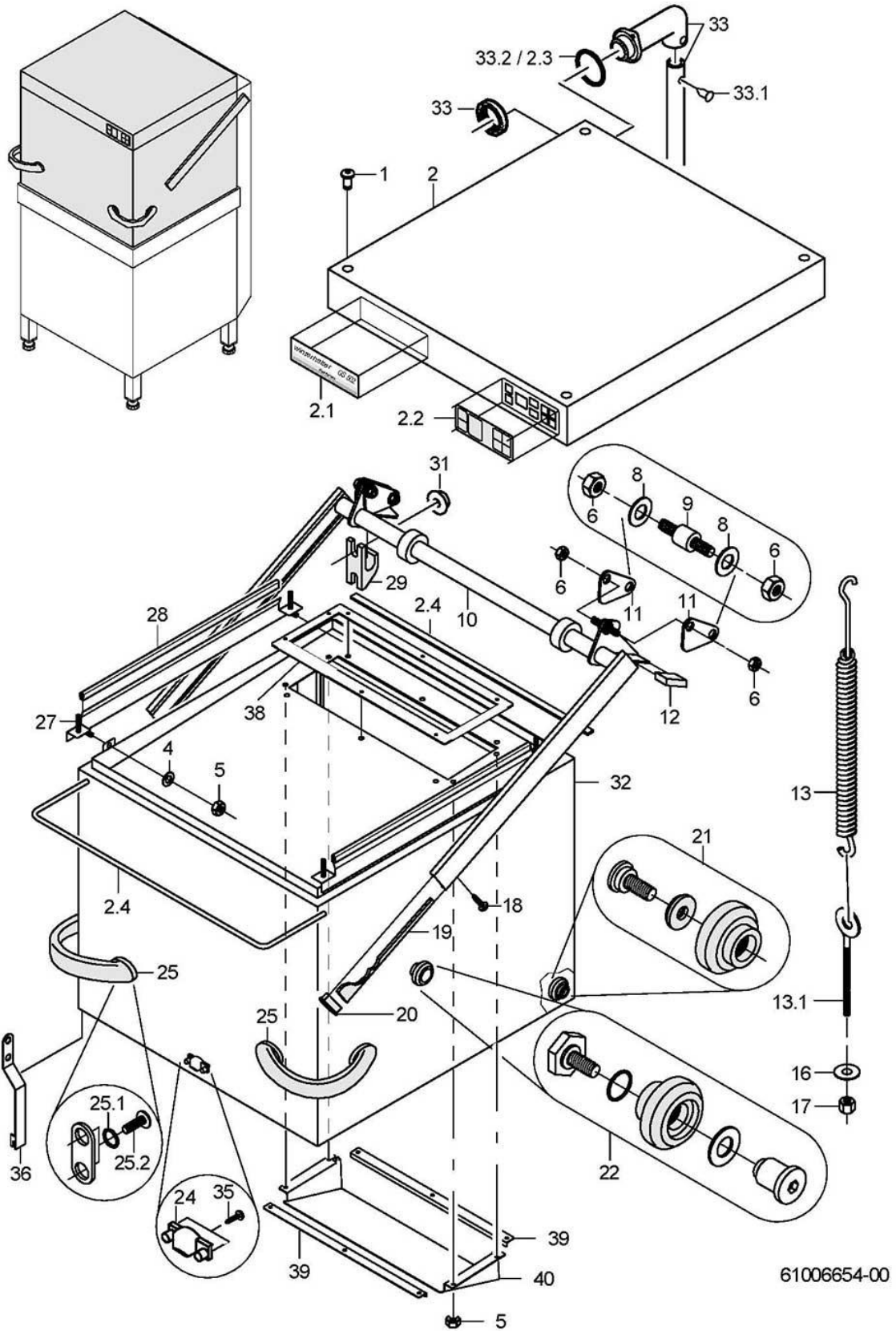
| Item. | Designation | Parts no.: | Pc. | Notes |
|-------|---|------------|-----|-------------------------------|
| 1 | Top panelling; 1,0 X 298,64 X 968,8 | 61005561 | | |
| 2 | Sheet metal screw; ST 3,9 X 13 | 20 20 310 | 12 | |
| 3 | Sheet metal nut; B 3,9 | 21 17 301 | 12 | |
| 4 | Rear wall panelling; 0,8 X 704 X 1269,6 | 61005557 | | |
| 5 | Bracket; 1,5 X 138,3 X 200 | 61005731 | | |
| 6 | Washer; D6,4 X D18 X 1,6 | 22 05 302 | 4 | |
| 7 | Hexagonal nut; M6 SELBSTSICHERND | 21 05 304 | 4 | |
| 8 | Membrane spout; 6,0 X D57 X D73; D40 | 61004889 | | |
| 9 | Membrane spout; 6,0 X 58 X 76; D17 | 61004891 | | |
| 10 | Cable gland; PG21; 10-18 MM; IP68 | 31 10 070 | | |
| 10 | Cable gland; PG29; 16-25 MM; IP68 | 31 10 123 | | |
| 11 | Hose nozzle; 6,25 X D15; D8,5 | 61004890 | | |
| 12 | Profile seal; D25 | 40 04 016 | | 1990 mm; "By-the-metre" goods |
| 13 | Housing panel right | 61005738 | | to machine no.: 551 352 |
| 13 | Housing panel right | 61006594 | | From machine no.: 551 353 |
| 13.1 | Sealing profile; 1,0 - 2,0MM | 40 04 006 | 6 | 560 mm; "By-the-metre" goods |
| 14 | Truss-head screw with retaining ring; M5 X 15 | 70005097 | | |
| 15 | Threaded insert; RD26 X 1/8; 39 X 59 X85 | 61004787 | 4 | |
| 16 | Foot cleats; RD26 X 1/8; SW40 X 135 | 61004786 | 4 | |
| 17 | Pan head screw; M5 X 16 | 20 10 224 | 4 | |
| 18 | Support; 20 X 7,8 X 27,8 | 35 01 068 | 4 | |
| 19 | Pan head screw; M4 X 30 | 20 10 316 | 8 | |
| 20 | Hexagonal nut; M5 | 21 01 303 | 4 | |
| 21 | Hexagonal nut; M4 | 21 01 302 | 8 | |
| 22 | Cap; D4,8 | 35 03 012 | | |
| 23 | Front panelling cpl. | 61005554 | | |
| 24 | Housing panel left compl. | 61005737 | | incl. item 24.1 |
| 24.1 | Sealing profile; 1,0 - 2,0MM | 40 04 006 | | 560 mm; "By-the-metre" goods |
| 25 | Hexagonal nut; M6 SELBSTSICHERND | 21 05 304 | 4 | |
| 26 | Washer; D6,4 X D18 X 1,6 | 22 05 302 | 4 | |
| 27 | Rack carrier, pre-assembled | 61006032 | | incl. item 27.1 - 27.4 |
| 27.1 | Hexagonal nut; M6 | 21 01 304 | 2 | |
| 27.2 | Guide rail cpl.; 519,27 LG | 61004267 | | |
| 27.3 | Buffer; 17,5 X 63 X 63 | 61005559 | | |
| 27.4 | Spring washer; B6 | 23 03 300 | | |
| 28 | Guiding pin cpl. | 61005090 | | Corner version |
| 29 | Roller set cpl. | 61005206 | | for both sides |
| 30 | Snap-in passage; D23,8 | 31 10 144 | | |
| 31 | Plug; 6,5 X 14 X 59 | 61006152 | | |
| 32 | Vapour guard GS 515 | 80003024 | | Accessories |
| 33 | Kit steam elbow | 80003801 | | |
| o.P. | Kit working height elevation to 900mm | 80003174 | | |
| o.P. | Kit working height elevation to 950mm | 80003175 | | |



GS 502, GS 515

Hood - GS 502

| Item. | Designation | Parts no.: | Pc. | Notes |
|-------|--|------------|-----|---|
| 1 | Truss-head screw with retaining ring; M5 X 15 | 70005097 | 4 | |
| 2 | Hood cover with operat. foil | 61005338 | | to machine no.: 470 791 |
| 2 | Hood cover with operat. foil | 61006090 | | From machine no.: 470 792 |
| 2.1 | Plate -Winterhalter GS 502-; 0,175 X 35 X 126 | 61006610 | | |
| 2.2 | Pad -Operating Panel-; 0,175 X 50 X 180 | 31 24 223 | | |
| 2.3 | O-ring; 28 X 2,5 | 27 07 049 | | |
| 2.4 | Gasket set, hood | 80003571 | | |
| 3 | Pipe; 635 LG | 61005021 | | up to mach. no. 431 888 ; no longer deliverable; contact with factory necessary |
| 4 | Washer; D5,3 X D10 X 1,0 | 22 01 300 | 2 | |
| 5 | Hexagonal nut; M5 SELBSTSICHERND | 21 05 302 | 10 | |
| 6 | Hexagonal nut; M8 SELBSTSICHERND | 21 05 306 | 8 | |
| 7 | Washer; D8,4 X D17 X 1,6 | 22 01 303 | 8 | up to 10/2003 |
| 8 | Washer; D10,5 X D18 X 1,6 | 22 02 206 | 4 | |
| 9 | Shaft; D10 X 34 | 61005054 | 4 | |
| 10 | Lever | 61004854 | | |
| 11 | Lug; 2,0 X 45,2 X 81,6 | 61005055 | 4 | |
| 12 | Buffer; 14 X 28 X 31 | 61005067 | 2 | |
| 13 | Set tension spring; L0=733;L1=1001;F1=1570 | 61006636 | 2 | Spring clamp 88000468 necessary to replace the cover tension springs |
| 13.1 | Eye screw; M10 X 150 | 61002816 | 2 | |
| 15 | Hexagonal nut; M10 | 21 02 306 | 2 | |
| 16 | Washer; D10,5 X D30 X 2,5 | 22 02 304 | 2 | |
| 17 | Hexagonal nut; M10 | 21 01 006 | 2 | |
| 18 | Raised head screw with internal hexagon; M6 X 12 MIT FLANSCH | 20 10 002 | 2 | |
| 19 | Locking brake; 14 X 15 X 121 | 61005048 | 2 | |
| 20 | Plug; 21 X 26 X 55 | 61004866 | 4 | |
| 21 | Roller set cpl. | 61005202 | | to machine no.: 408 497; for both sides |
| 21 | Roller set cpl. | 61005333 | | From machine no.: 408 498; for both sides |
| 22 | Roller set cpl. | 61005203 | | for both sides |
| 23 | Cap; D4,8 | 35 03 012 | 2 | |
| 24 | Magnet holder; 12,9 X 15 X 40 | 61006243 | | incl. magnet |
| 25 | Handle cpl. | 61005204 | 2 | incl. item 25.1 – 25.2 |
| 25.1 | O-ring; 6,5 X 2,5 | 27 07 063 | 8 | |
| 25.2 | Raised head screw with internal hexagon; M6 X 12 MIT FLANSCH | 20 10 002 | 8 | |
| 27 | Bracket cpl.; 592 LG | 61005101 | 2 | |
| 29 | Door lever bearing; 70 X 21 X 39,25 | 35 01 066 | 4 | |
| 30 | Washer; D8,4 X D17 X 1,6 | 22 01 303 | 8 | |
| 31 | Hexagonal nut; M6 SELBSTSICHERND | 21 05 304 | 8 | |
| 32 | Hood cpl. | 61005324 | | to machine no.: 470 791 |
| 32 | Hood | 61006033 | | From machine no.: 470 792 |
| 33 | Cable pipe cpl. | 61005849 | | From machine no.: 431 889 |
| 33.1 | Pin; 3,9 X 4,0 X 9,0 | 25 09 322 | | |
| 33.2 | O-ring; 28 X 2,5 | 27 07 049 | | |
| 34 | O-ring; 20 X 3 | 27 07 031 | | |
| 35 | Plate screw; ST 3,9 X 9,5 | 20 20 307 | 2 | |
| 36 | Kit rack stop GS 502 | 80003157 | | extras |

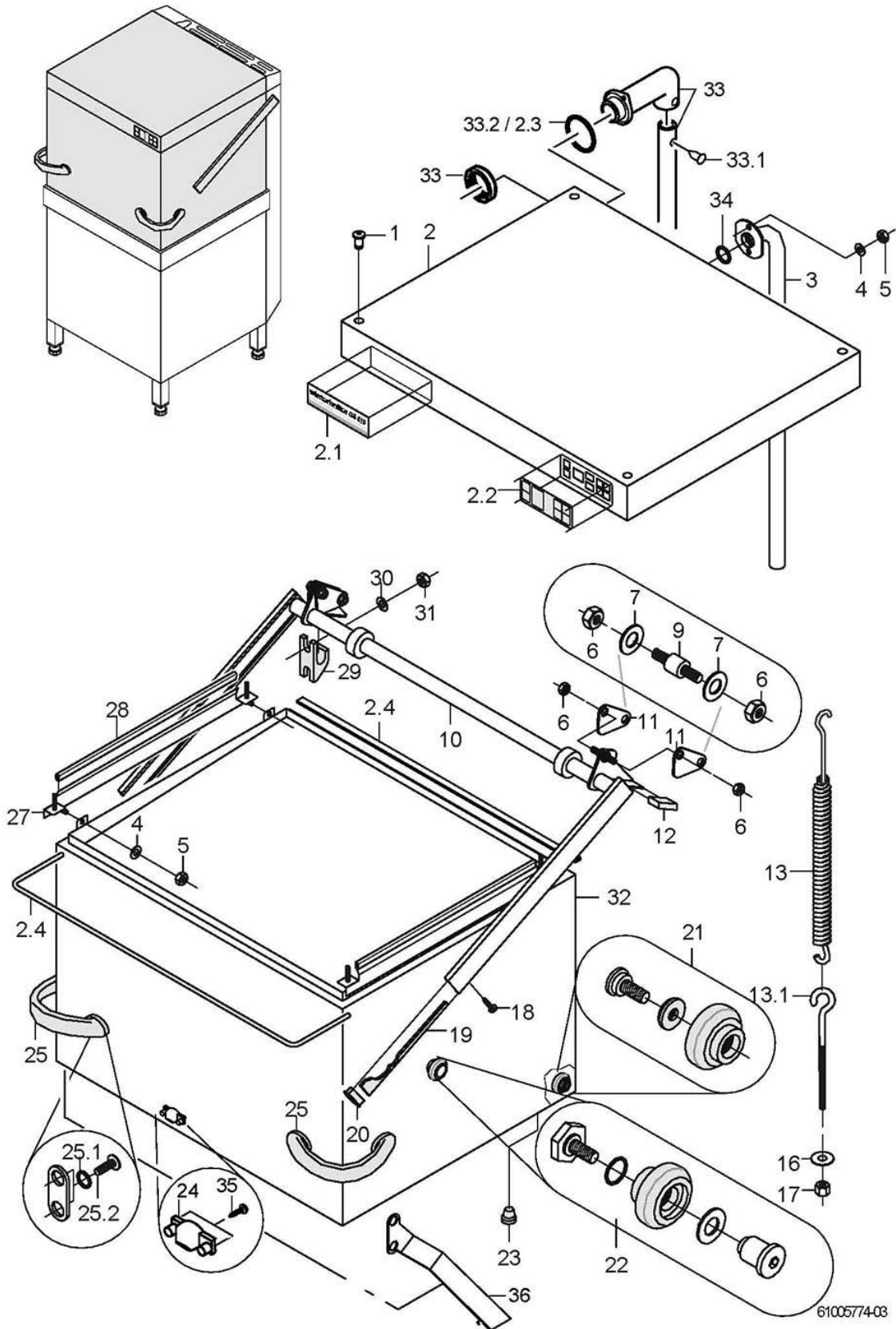


61006654-00

GS 502, GS 515

Hood - GS 502 Energy / Energy+

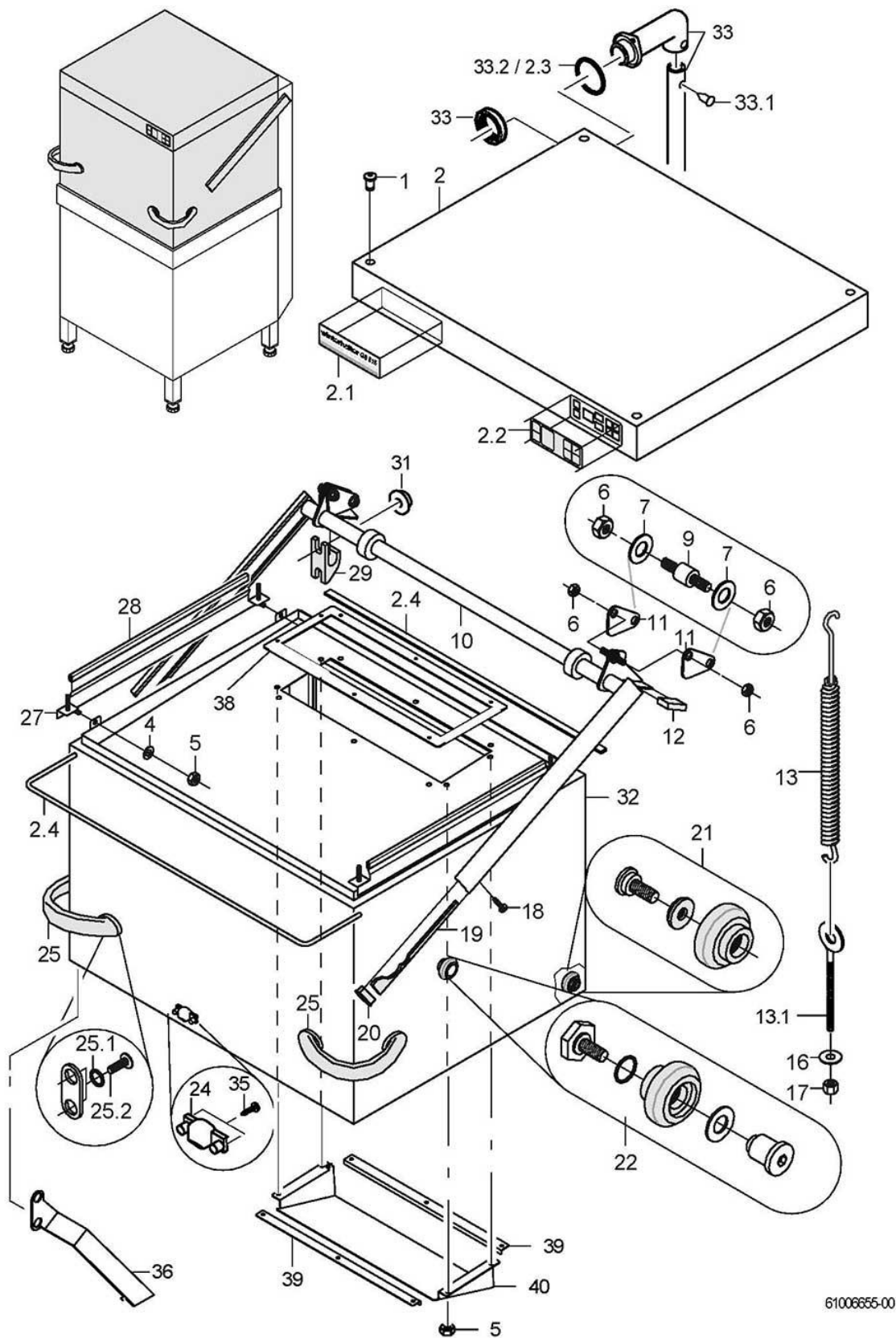
| Item. | Designation | Parts no.: | Pc. | Notes |
|-------|--|------------|-----|--|
| 1 | Truss-head screw with retaining ring; M5 X 15 | 70005097 | 4 | |
| 2 | Hood cover with operat. foil; GS502 ENERGY | 80003759 | | GS 502 Energy |
| 2.1 | Plate "Winterh. GS502 Energy"; 0,175 X 35 X 126 | 61006663 | | |
| 2.2 | Pad -Operating Panel-; 0,175 X 50 X 180 | 31 24 223 | | |
| 2.3 | O-ring; 28 X 2,5 | 27 07 049 | | |
| 2.4 | Gasket set, hood | 80003571 | | |
| 2 | Hood cover with operat. foil; GS502 ENERGY+ | 80003781 | | GS 502 Energy+ |
| 2.1 | Plate "Winterh. GS502 Energy+"; 0,175 X 35 X 126 | 61006664 | | |
| 2.2 | Pad -Operating Panel-; 0,175 X 50 X 180 | 31 24 223 | | |
| 2.3 | O-ring; 28 X 2,5 | 27 07 049 | | |
| 2.4 | Gasket set, hood | 80003571 | | |
| 4 | Washer; D5,3 X D10 X 1,0 | 22 01 300 | 2 | |
| 5 | Hexagonal nut; M5 SELBSTSICHERND | 21 05 302 | 10 | |
| 6 | Hexagonal nut; M8 SELBSTSICHERND | 21 05 306 | 8 | |
| 8 | Washer; D10,5 X D18 X 1,6 | 22 02 206 | 4 | |
| 9 | Shaft; D10 X 34 | 61005054 | 4 | |
| 10 | Lever | 61004854 | | |
| 11 | Lug; 2,0 X 45,2 X 81,6 | 61005055 | 4 | |
| 12 | Buffer; 14 X 28 X 31 | 61005067 | 2 | |
| 13 | Set tension spring; L0=733;L1=1001;F1=1570 | 61006636 | 2 | Spring clamp 88000468 necessary to replace the cover tension springs |
| 13.1 | Screw; M10 X 80 | 20 06 339 | | |
| 16 | Washer; D10,5 X D30 X 2,5 | 22 02 304 | 2 | |
| 17 | Hexagonal nut; M10 | 21 01 006 | 2 | |
| 18 | Raised head screw with internal hexagon; M6 X 12 MIT FLANSCH | 20 10 002 | 2 | |
| 19 | Locking brake; 14 X 15 X 121 | 61005048 | 2 | |
| 20 | Plug; 21 X 26 X 55 | 61004866 | 4 | |
| 21 | Roller set cpl. | 61005333 | | for both sides |
| 22 | Roller set cpl. | 61005203 | | for both sides |
| 24 | Magnet holder; 12,9 X 15 X 40 | 61006243 | | incl. magnet |
| 25 | Handle cpl. | 61005204 | 2 | incl. item 25.1 – 25.2 |
| 25.1 | O-ring; 6,5 X 2,5 | 27 07 063 | | |
| 25.2 | Raised head screw with internal hexagon; M6 X 12 MIT FLANSCH | 20 10 002 | | |
| 27 | Bracket cpl.; 592 LG | 61005101 | 2 | |
| 28 | Sealing profile; 1,0 - 2,0MM | 40 04 006 | | 590 mm; "By-the-metre" goods |
| 29 | Door lever bearing; 70 X 21 X 39,25 | 35 01 066 | 4 | |
| 31 | Ratchet nut; M6 | 21 01 311 | 8 | |
| 32 | Hood | 80003411 | | |
| 33 | Cable pipe cpl. | 61005849 | | incl. item 33.1 - 33.2 |
| 33.1 | Pin; 3,9 X 4,0 X 9,0 | 25 09 322 | | |
| 33.2 | O-ring; 28 X 2,5 | 27 07 049 | | |
| 35 | Plate screw; ST 3,9 X 9,5 | 20 20 307 | 2 | |
| 36 | Kit rack stop GS 502 | 80003157 | | Additional equipment |
| 38 | Seal; 2,0 X 176 X 440 | 80003414 | | |
| 39 | Elbow; 1,25 X 27,3 X 395 | 80003413 | 2 | |
| 40 | Cover; 1,25 X 155 X 555,6 | 80003305 | | |



61005774-03

GS 502, GS 515**Hood - GS 515**

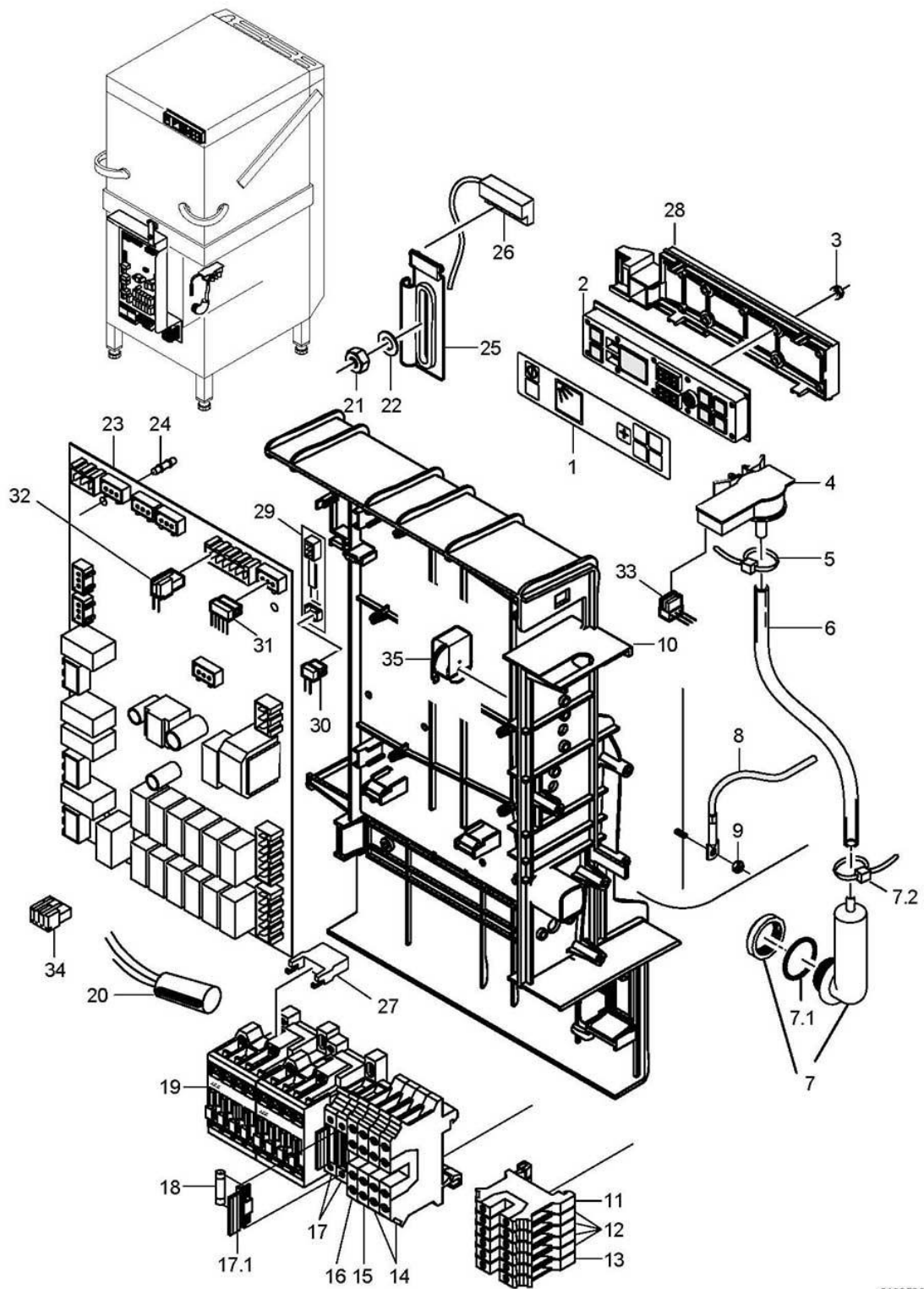
| Item. | Designation | Parts no.: | Pc. | Notes |
|-------|--|------------|-----|--|
| 1 | Truss-head screw with retaining ring; M5 X 15 | 70005097 | 4 | |
| 2 | Hood cover with operat. foil | 61005736 | | to machine no.: 470 791 |
| 2 | Hood cover with operat. foil | 61006091 | | From machine no.: 470 792 |
| 2.1 | Plate -Winterhalter GS 515-; 0,175 X 35 X 126 | 61006611 | | |
| 2.2 | Pad -Operating Panel-; 0,175 X 50 X 180 | 31 24 223 | | |
| 2.3 | O-ring; 28 X 2,5 | 27 07 049 | | |
| 2.4 | Gasket set, hood | 80003571 | | |
| 3 | Pipe; 635 LG | 61005021 | | no longer deliverable; Contact with the factory necessary |
| 4 | Washer; D5,3 X D10 X 1,0 | 22 01 300 | 2 | |
| 5 | Hexagonal nut; M5 SELBSTSICHERND | 21 05 302 | 10 | |
| 6 | Hexagonal nut; M8 SELBSTSICHERND | 21 05 306 | 8 | |
| 7 | Washer; D10,5 X D18 X 1,6 | 22 02 206 | 4 | |
| 9 | Shaft; D10 X 34 | 61005054 | 4 | |
| 10 | Hood lever cpl. | 61005495 | | |
| 11 | Lug; 2,0 X 45,17 X 81,77 | 61005760 | 4 | |
| 12 | Buffer; 14 X 15 X 31 | 61005730 | 4 | |
| 13 | Set tension spring; L0=733;L1=1001;F1=1570 | 61006636 | 2 | Spring clamp 88000468 necessary to replace the cover tension springs |
| 13.1 | Eye screw; M10 X 150 | 61002816 | 2 | |
| 16 | Washer; D10,5 X D30 X 2,5 | 22 02 304 | 2 | |
| 17 | Hexagonal nut; M10 | 21 01 006 | 2 | |
| 18 | Raised head screw with internal hexagon; M6 X 12 MIT FLANSCH | 20 10 002 | 2 | |
| 19 | Locking brake; 14 X 15 X 121 | 61005048 | 2 | |
| 20 | Plug; 21 X 26 X 55 | 61004866 | 4 | |
| 21 | Roller set cpl. | 61005333 | | for both sides |
| 22 | Roller set cpl. | 61005203 | | for both sides |
| 23 | Cap; D4,8 | 35 03 012 | 2 | |
| 24 | Magnet holder; 12,9 X 15 X 40 | 61006243 | | incl. magnet |
| 25 | Handle cpl. | 61005204 | 2 | incl. item 25.1 – 25.2 |
| 25.1 | O-ring; 6,5 X 2,5 | 27 07 063 | 8 | |
| 25.2 | Raised head screw with internal hexagon; M6 X 12 MIT FLANSCH | 20 10 002 | 8 | |
| 27 | Bracket cpl.; 592 LG | 61005101 | 2 | |
| 29 | Door lever bearing; 70 X 21 X 39,25 | 35 01 066 | 4 | |
| 30 | Washer; D8,4 X D17 X 1,6 | 22 01 303 | 8 | |
| 31 | Hexagonal nut; M6 SELBSTSICHERND | 21 05 304 | 8 | |
| 32 | Hood cpl. | 61005460 | | to machine no.: 470 791 |
| 32 | Hood | 61006038 | | From machine no.: 470 792 |
| 33 | Cable pipe cpl. | 61005849 | | From machine no.: 431 889 |
| 33.1 | Pin; 3,9 X 4,0 X 9,0 | 25 09 322 | | |
| 33.2 | O-ring; 28 X 2,5 | 27 07 049 | | |
| 34 | O-ring; 20 X 3 | 27 07 031 | | |
| 35 | Plate screw; ST 3,9 X 9,5 | 20 20 307 | 2 | |
| 36 | Kit rack stop GS 515 | 80003158 | | extras |



61006655-00

GS 502, GS 515**Hood - GS 515 Energy / Energy+**

| Item. | Designation | Parts no.: | Pc. | Notes |
|-------|--|------------|-----|--|
| 1 | Truss-head screw with retaining ring; M5 X 15 | 70005097 | 4 | |
| 2 | Hood cover with operat. foil; GS515 ENERGY | 80003760 | | GS 515 Energy |
| 2.1 | Plate "Winterh. GS515 Energy"; 0,175 X 35 X 126 | 61006665 | | |
| 2.2 | Pad -Operating Panel-; 0,175 X 50 X 180 | 31 24 223 | | |
| 2.3 | O-ring; 28 X 2,5 | 27 07 049 | | |
| 2.4 | Gasket set, hood | 80003571 | | |
| 2 | Hood cover with operat. foil; GS515 ENERGY+ | 80003782 | | GS 515 Energy+ |
| 2.1 | Plate "Winterh. GS515 Energy+"; 0,175 X 35 X 126 | 61006666 | | |
| 2.2 | Pad -Operating Panel-; 0,175 X 50 X 180 | 31 24 223 | | |
| 2.3 | O-ring; 28 X 2,5 | 27 07 049 | | |
| 2.4 | Gasket set, hood | 80003571 | | |
| 4 | Washer; D5,3 X D10 X 1,0 | 22 01 300 | 2 | |
| 5 | Hexagonal nut; M5 SELBSTSICHERND | 21 05 302 | 10 | |
| 6 | Hexagonal nut; M8 SELBSTSICHERND | 21 05 306 | 8 | |
| 8 | Washer; D10,5 X D18 X 1,6 | 22 02 206 | 4 | |
| 9 | Shaft; D10 X 34 | 61005054 | 4 | |
| 10 | Hood lever cpl. | 61005495 | | |
| 11 | Lug; 2,0 X 45,17 X 81,77 | 61005760 | 4 | |
| 12 | Buffer; 14 X 15 X 31 | 61005730 | 2 | |
| 13 | Set tension spring; L0=733;L1=1001;F1=1570 | 61006636 | 2 | Spring clamp 88000468 necessary to replace the cover tension springs |
| 13.1 | Screw; M10 X 80 | 20 06 339 | | |
| 16 | Washer; D10,5 X D30 X 2,5 | 22 02 304 | 2 | |
| 17 | Hexagonal nut; M10 | 21 01 006 | 2 | |
| 18 | Raised head screw with internal hexagon; M6 X 12 MIT FLANSCH | 20 10 002 | 2 | |
| 19 | Locking brake; 14 X 15 X 121 | 61005048 | 2 | |
| 20 | Plug; 21 X 26 X 55 | 61004866 | 4 | |
| 21 | Roller set cpl. | 61005333 | | for both sides |
| 22 | Roller set cpl. | 61005203 | | for both sides |
| 24 | Magnet holder; 12,9 X 15 X 40 | 61006243 | | incl. magnet |
| 25 | Handle cpl. | 61005204 | 2 | incl. item 25.1 – 25.2 |
| 25.1 | O-ring; 6,5 X 2,5 | 27 07 063 | | |
| 25.2 | Raised head screw with internal hexagon; M6 X 12 MIT FLANSCH | 20 10 002 | | |
| 27 | Bracket cpl.; 592 LG | 61005101 | 2 | |
| 28 | Sealing profile; 1,0 - 2,0MM | 40 04 006 | | 590 mm; "By-the-metre" goods |
| 29 | Door lever bearing; 70 X 21 X 39,25 | 35 01 066 | 4 | |
| 31 | Ratchet nut; M6 | 21 01 311 | 8 | |
| 32 | Hood | 80003467 | | |
| 33 | Cable pipe cpl. | 61005849 | | incl. item 33.1 - 33.2 |
| 33.1 | Pin; 3,9 X 4,0 X 9,0 | 25 09 322 | | |
| 33.2 | O-ring; 28 X 2,5 | 27 07 049 | | |
| 35 | Plate screw; ST 3,9 X 9,5 | 20 20 307 | 2 | |
| 36 | Kit rack stop GS 515 | 80003158 | | Additional equipment |
| 38 | Seal; 2,0 X 176 X 440 | 80003414 | | |
| 39 | Elbow; 1,25 X 27,3 X 395 | 80003413 | 2 | |
| 40 | Cover; 1,25 X 155 X 555,6 | 80003305 | | |

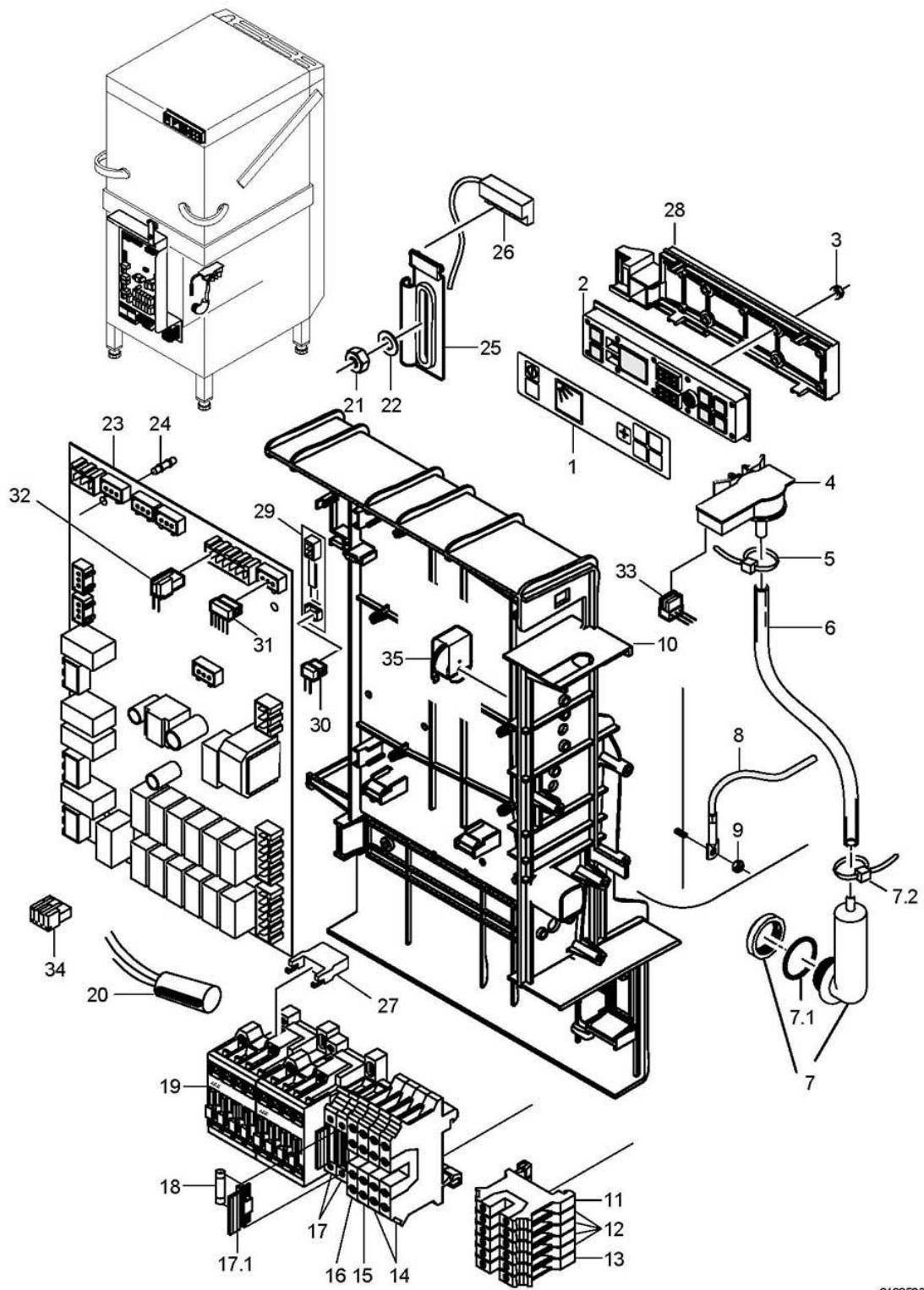


61005380-02

GS 502, GS 515**Electric parts - GS 502, GS 515**

| Item. | Designation | Parts no.: | Pc. | Notes |
|-------|--|------------|-----|---|
| 1 | Pad -Operating Panel-; 0,175 X 50 X 180 | 31 24 223 | | |
| 2 | Operating panel; 25 X 55 X 210 | 31 24 222 | | |
| 3 | Nut with soft push; M3, SW7, MAX. 160 NM | 31 13 116 | 10 | |
| 3 | Nut-and-washer assembly; M3 | 21 01 312 | 4 | |
| 4 | Pressure transmitter; 0-30MBAR;5VDC/0,5-3,5V | 31 26 044 | | |
| 5 | Cable tie; 100 X 2,5 | 31 20 175 | 2 | |
| 6 | Hose; DN5 X 1,5 | 40 01 024 | | 220 mm; "By-the-metre" goods |
| 7 | Air chamber set | 60003525 | | incl. item 7.1 – 7.2 |
| 7.1 | O-ring | 30000196 | | |
| 7.2 | Cable tie; 100 X 2,5 | 31 20 175 | | |
| 8 | Thermal sensor kit 1000mm | 80003803 | | with heat-conducting foil |
| 9 | Hexagonal nut; M5 SELBSTSICHERND | 21 05 302 | | |
| 10 | Assembly plate; 129 X 293 X 491,22 | 61005381 | | not exchangeable with CN assembly plate |
| 11 | Twin terminal, blue | 31 09 223 | | |
| 12 | Twin terminal, grey | 31 09 222 | 4 | |
| 13 | Double terminal, UK, 10-Twin-PE | 31 09 224 | | |
| 14 | Earth conductor terminal green/yellow | 31 09 120 | 2 | |
| 15 | UDK 4 BU double terminal | 31 09 152 | | |
| 16 | UDK 4 double terminal | 31 09 151 | | |
| 17 | Universal fuse clip | 31 09 063 | 2 | incl. item 17.1 |
| 17.1 | Securing plug | 31 09 072 | 2 | |
| 18 | Fine fuse, medium time lag; 250V; 4,0A; 5 X 20 | 31 11 123 | 2 | retrofitable |
| 19 | Contact A16:3S: 1 N/C contact; 230V/50-60HZ; 7,5KW | 31 04 162 | 2 | |
| 19 | Contact A16:3S: 1 N/C contact; 200V/50-60HZ; 7,5KW | 31 04 163 | 2 | Japan |
| 20 | Radio interference suppression capacitor; 0,27MF + 2 X 27000PF | 31 13 078 | | |
| 21 | Hexagonal nut; M5 SELBSTSICHERND | 21 05 302 | | |
| 22 | Washer; D5,3 X D15 X 1,2 | 22 05 301 | | |

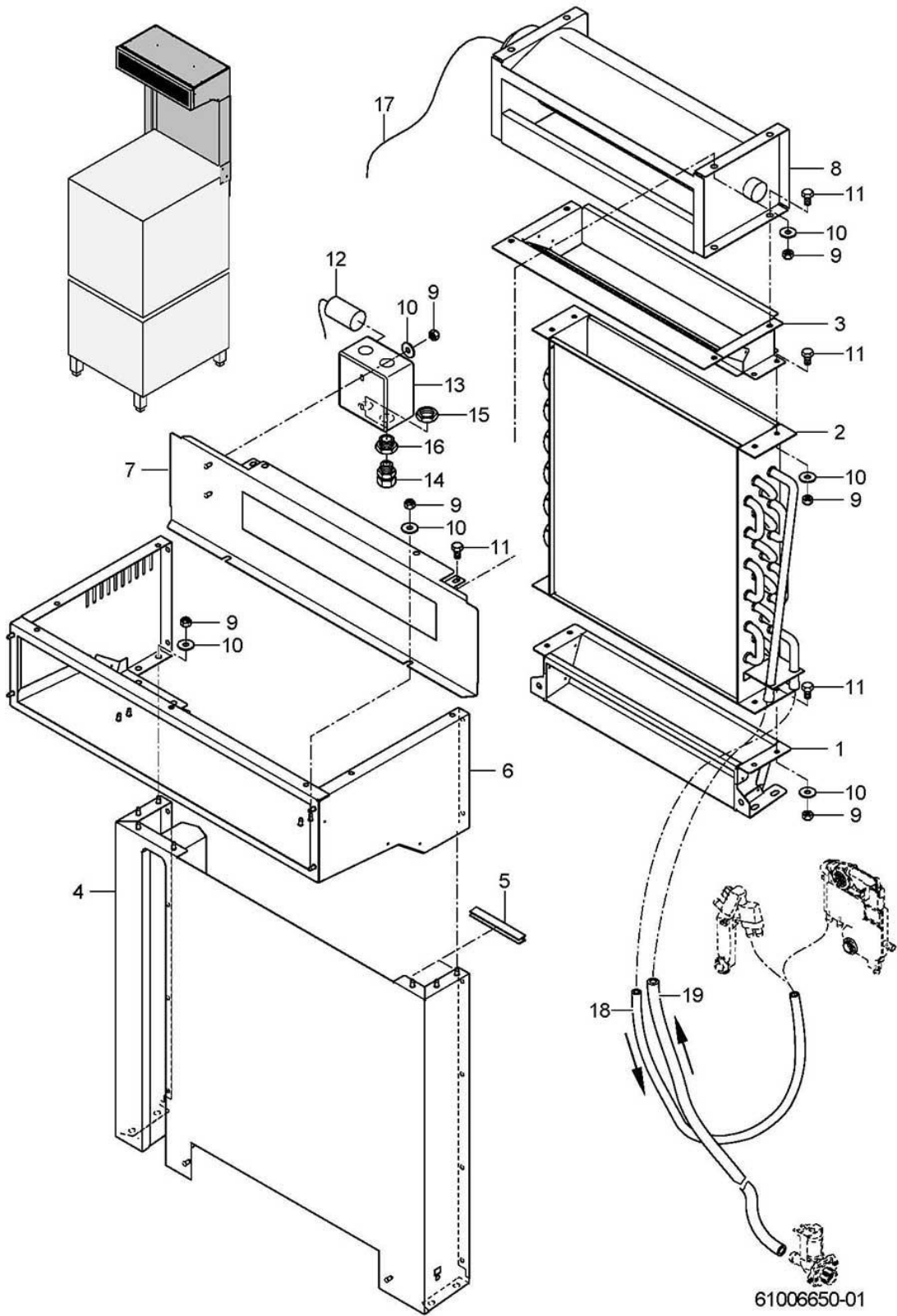
For missing items, see next page



61005380-02

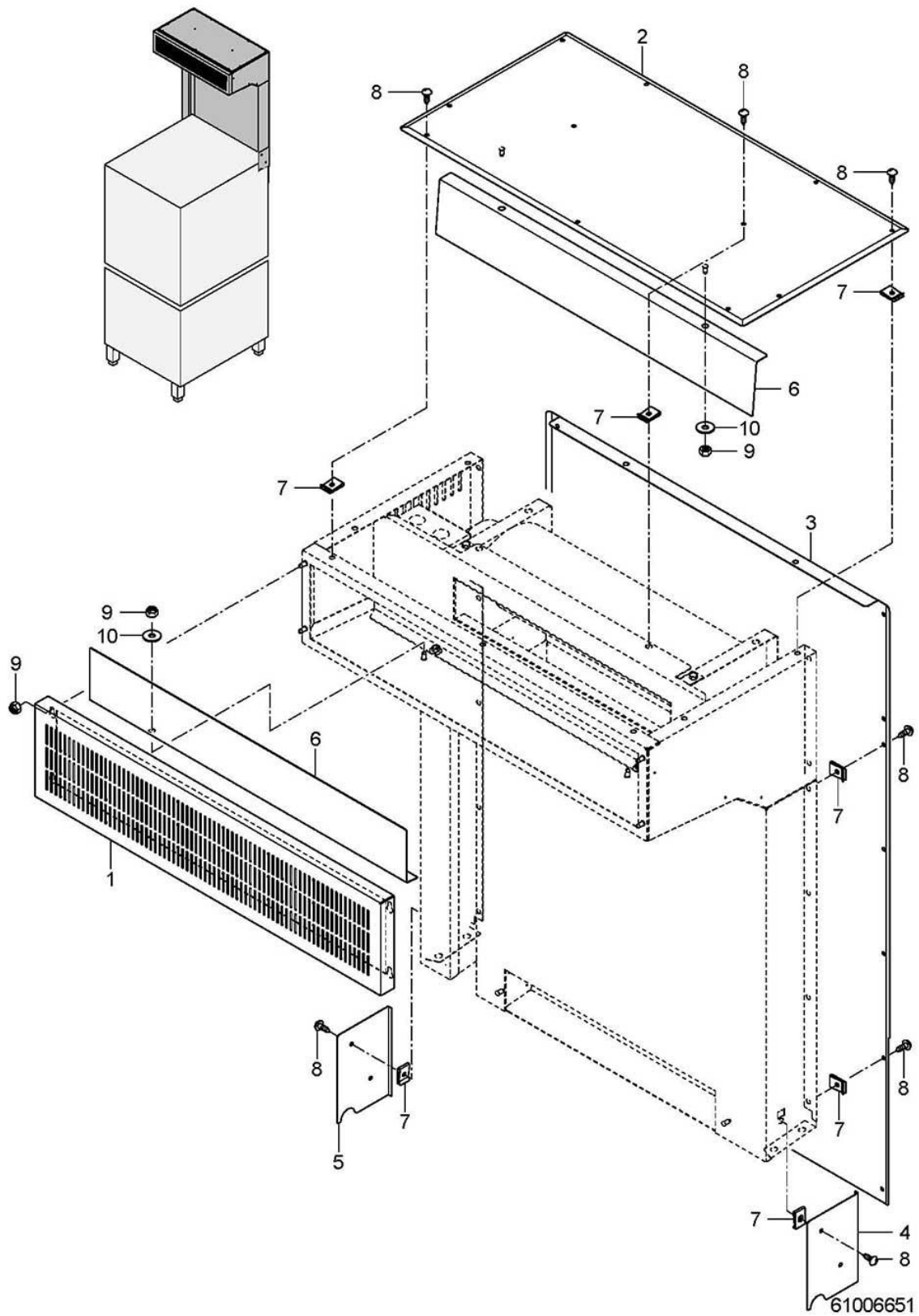
GS 502, GS 515**Electric parts - GS 502, GS 515**

| Item. | Designation | Parts no.: | Pc. | Notes |
|-------|---|------------|-----|---|
| 23 | Programme control WPS MAX Kit; 180-265V; 50/60HZ | 31 05 139 | | |
| o.P. | WPS installation set (MAX-version) | 55 28 270 | | Installation kit for reversible rinse temperature |
| 24 | Spacer; 18,70MM LANG | 31 13 115 | 6 | |
| 25 | Bracket; 5,0 X 20 X 72 | 61005446 | | |
| 26 | Magnetic switch; 32 X 14,9 X 6,9;1000LG | 31 24 224 | | |
| 27 | RC element; 250V | 31 13 166 | | |
| 28 | Support for operating panel | 60003350 | | |
| 29 | Level sensor, electronic; 12V; 7MA; 80 X 20 MM | 31 13 164 | | From machine no.: 479 003 |
| 30 | Cable for level sensor; 2 X 0,34QMM | 60003175 | | |
| 31 | Bus cable set | 55 28 273 | | |
| 32 | Wiring loom; Water softener | 61005966 | | |
| 33 | Pressure transmitter cable; 3 X 0,34QMM; 310 LG | 61005025 | | |
| 34 | Macro-module plug; RAST5; 2-POLIG; UNCOD. | 31 12 091 | | |
| 34 | Macro-module plug; RAST5; 3-POLIG UNCOD. | 31 12 093 | | |
| 34 | Macro-module plug; RAST5; 4-POLIG UNCOD. | 31 12 094 | | |
| 34 | Macro-module plug; RAST2,5; 3-POLIG UNCOD. | 31 12 095 | | |
| 34 | Macro-module plug; RAST2,5; 5-POLIG UNCOD. | 31 12 096 | | |
| 35 | Buzzer; 230VAC; 75DB; 23X30,5MM | 31 13 133 | | Additional equipment |
| 35 | Set of acoustical level indicators; WPS MAX. VORHANDEN | 55 28 283 | | with max. WPS version |
| 35 | Set of acoustical level indicators; WPS MAX.NICHT VORHAND. | 55 28 284 | | with min. WPS version |
| o.P. | Supply cable, 5-wire; 5 X 2,5QMM; 3000 LG | 31 23 132 | | |
| o.P. | Control unit wire set; 0,75QMM | 61005023 | | |
| o.P. | Unit wire set DS; 7 X 2,5QMM | 61005014 | | |
| o.P. | Support; 3,0 X 32 X 130 | 61005004 | | |



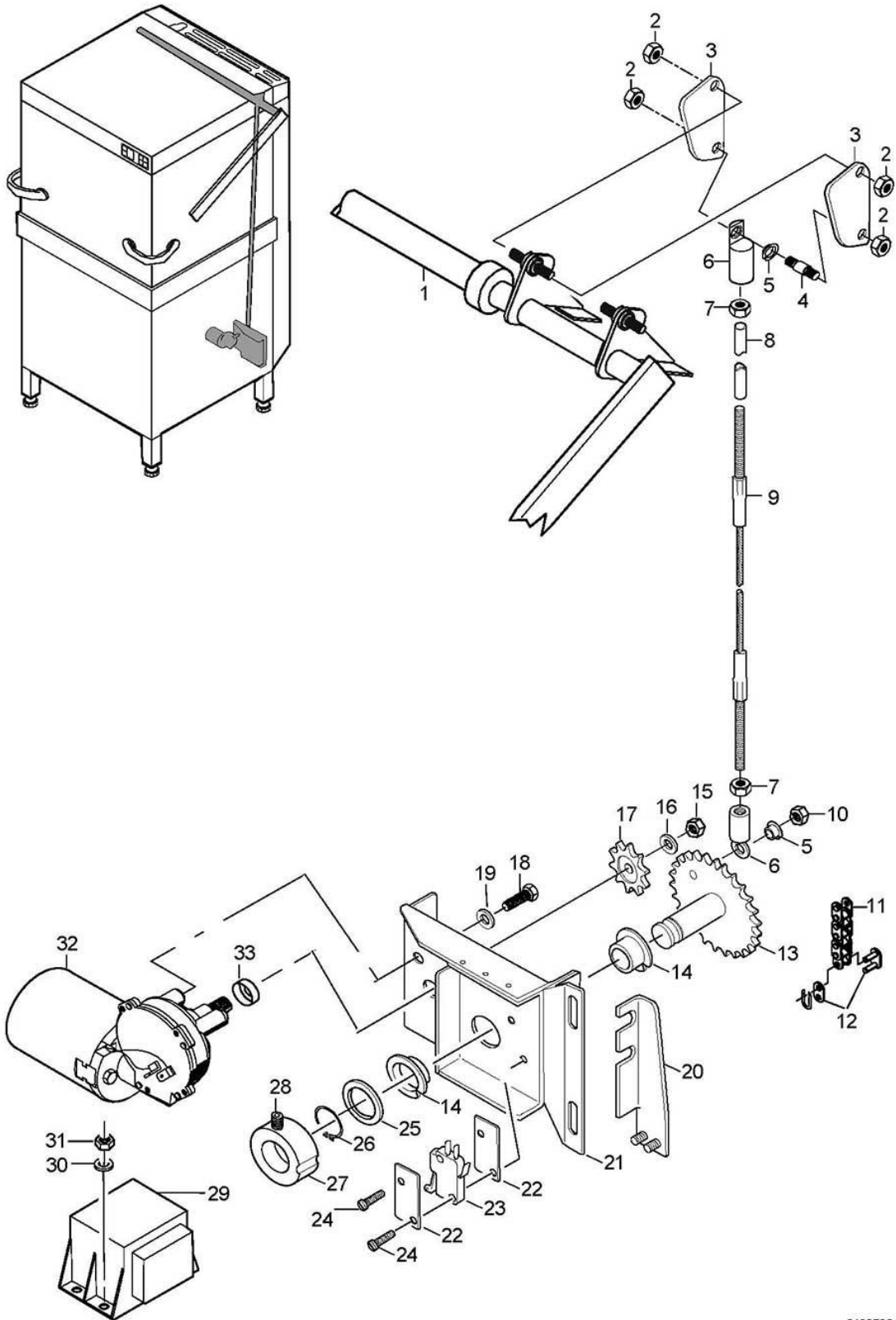
GS 502, GS 515**Vapour extraction - GS 502, GS 515 Energy / Energy+**

| Item. | Designation | Parts no.: | Pc. | Notes |
|-------|--|------------|-----|-------------------------------|
| 1 | Flange | 80003308 | | GS 502 Energy/Energy+ |
| 1 | Flange | 80003459 | | GS 515 Energy/Energy+ |
| 2 | Heat exchanger | 80003791 | | Copper |
| 2 | Heat exchanger | 80003792 | | Stainless steel |
| 3 | Connecting sleeve | 80003435 | | |
| 4 | Frame connector | 80003473 | | GS 502 Energy/Energy+ |
| 4 | Frame connector | 80003444 | | GS 515 Energy/Energy+ |
| 5 | Edge protection profile; U9,5 X 2,0 | 40 04 015 | | 100 mm; "By-the-metre" goods |
| 6 | Hood cpl. | 80003418 | | GS 502 Energy/Energy+ |
| 6 | Hood cpl. | 80003449 | | GS 515 Energy/Energy+ |
| 7 | Panel | 80003476 | | GS 502 Energy/Energy+ |
| 7 | Panel | 80003489 | | GS 515 Energy/Energy+ |
| 8 | Cross flow fan; 200-240V/50-60HZ; IP44 | 31 17 033 | | |
| 9 | Hexagonal nut; M5 SELBSTSICHERND | 21 05 302 | | |
| 10 | Washer; D5,3 X D15 X 1,2 | 22 05 301 | | |
| 11 | Hexagon screw; M5 X 10; A70 | 20 01 300 | | |
| 12 | Capacitor; 1,5 MICRO F / 400V | 31 13 032 | | |
| 13 | 10-pos. terminal block box; 57 X 94 X 94;IP54;4QMM | 31 18 087 | | |
| 14 | Cable gland; M16 X 1,5;5-10MM;IP68 | 31 10 151 | | |
| 15 | Hexagonal nut; M20 X 1,5 X 5,0; SW27 | 31 10 162 | | |
| 16 | Reducing ring; M20 X 1,5/M16 X 1,5 | 31 10 178 | | |
| 17 | Cable, fan; 3 G 0,75QMM; 3400 LG | 61006441 | | |
| 18 | Industrial hose; DN13 X 3,5 | 40 02 035 | | 1430 mm; "By-the-metre" goods |
| 19 | Industrial hose; DN13 X 3,5 | 40 02 035 | | 2000 mm; "By-the-metre" goods |



GS 502, GS 515**Vapour extraction (covering) - GS 502, GS 515 Energy / Energy+**

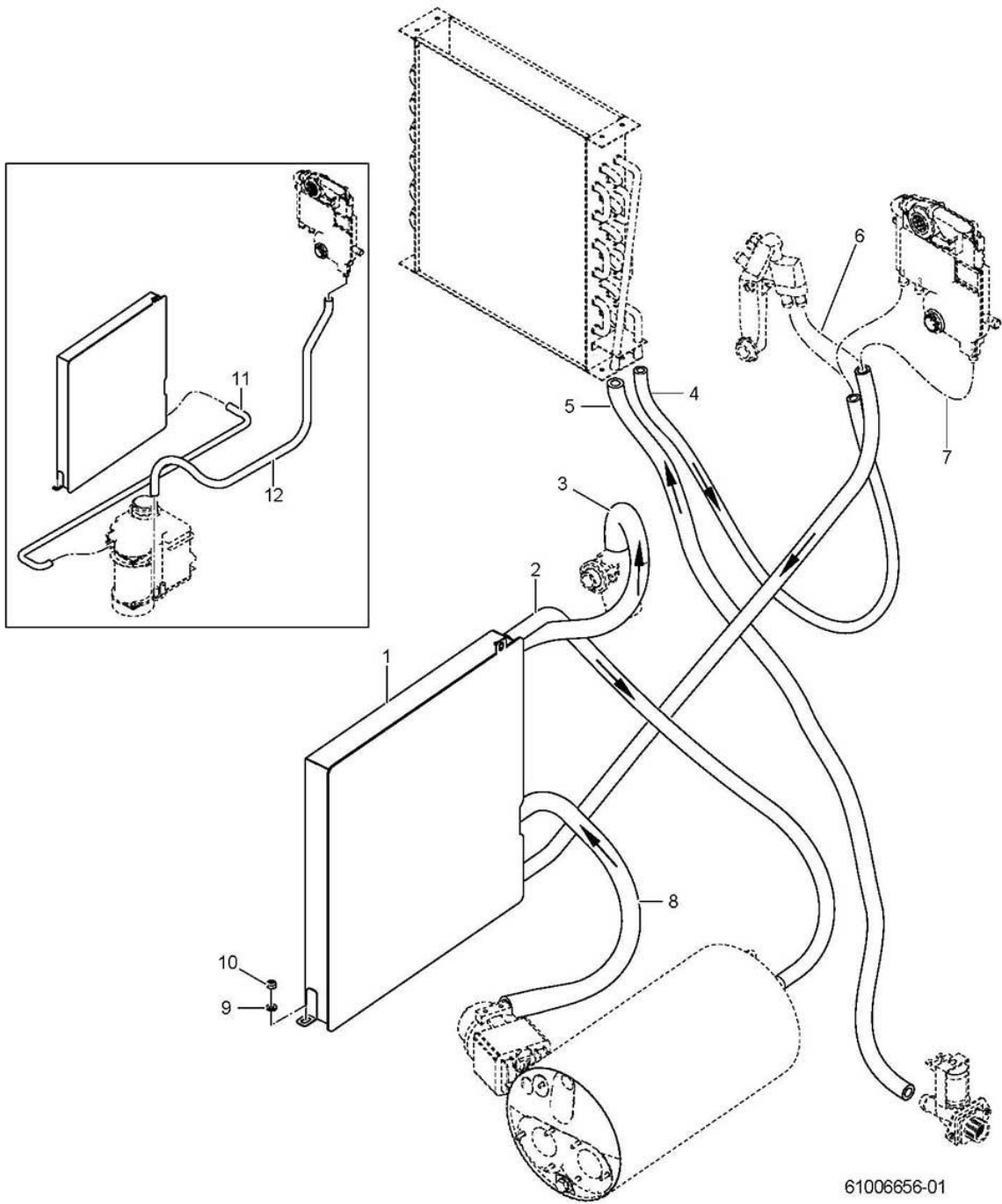
| Item. | Designation | Parts no.: | Pc. | Notes |
|-------|---|------------|-----|-----------------------|
| 1 | Screen; 1,0 X 214,5 X 684,5 | 80003567 | | GS 502 Energy/Energy+ |
| 1 | Screen; 1,0 X 214,5 X 780,5 | 80003570 | | GS 515 Energy/Energy+ |
| 2 | Top panelling | 80003424 | | GS 502 Energy/Energy+ |
| 2 | Housing | 80003451 | | GS 515 Energy/Energy+ |
| 3 | Rear wall covering; 0,8 X 607,72 X 939,05 | 80003362 | | GS 502 Energy/Energy+ |
| 3 | Rear wall panelling; 0,8 X 704,1 X 935,95 | 80003462 | | GS 515 Energy/Energy+ |
| 4 | Cover sheet right; 0,8 X 95,05 X 135 | 80003552 | | |
| 5 | Cover sheet left; 0,8 X 95,05 X 135 | 80003554 | | |
| 6 | Elbow; 1,0 X 98,96 X 560 | 80003385 | 2 | GS 502 Energy/Energy+ |
| 6 | Elbow; 1,0 X 108,12 X 650 | 80003469 | 2 | GS 515 Energy/Energy+ |
| 7 | Sheet metal nut; B 3,9 | 21 17 301 | 11 | |
| 8 | Sheet metal screw, ST 3,9 X 13 | 20 20 310 | 11 | |
| 9 | Hexagonal nut; M5 SELBSTSICHERND | 21 05 302 | | |
| 10 | Washer; D5,3 X D15 X 1,2 | 22 05 301 | | |



61005861-00

GS 502, GS 515**Automatic hood opening (option) - GS 515**

| Item. | Designation | Parts no.: | Pc. | Notes |
|-------|---|------------|-----|-------------------------------|
| 1 | Hood lever cpl. | 61005702 | | |
| 2 | Hexagonal nut; M6 SELBSTSICHERND | 21 05 304 | | |
| 3 | Lug; 2,0 X 45,17 X 81,77 | 61005760 | | |
| 4 | Shaft; D10 X 34 | 61005054 | | |
| 5 | Sliding bearing with collar; D10 X D12 X D18 X 7,0 | 28 09 015 | | |
| 6 | Lug; D20 X 50 | 61005662 | | |
| 7 | Hexagonal nut; M6 | 21 02 304 | | |
| 8 | Industrial hose; DN13 X 3,5 | 40 02 035 | | 1060 mm; "By-the-metre" goods |
| 9 | Wire rope; D4 X 997; M6 | 61005820 | | |
| 10 | Hexagonal nut; M6 SELBSTSICHERND | 21 05 304 | | |
| 11 | Roller chain; 3/8" X 7/32" | 28 10 038 | | 345 mm; "By-the-metre" goods |
| 12 | Master link; 06 B-1 | 28 10 037 | | |
| 13 | Chain wheel cpl. | 61005744 | | |
| 14 | Sliding bearing with collar; D20 X D23 X D30 X 11,5 | 28 09 016 | | |
| 15 | Hexagonal nut; M8 SELBSTSICHERND | 21 05 306 | | |
| 16 | Washer; D8,4 X D17 X 1,6 | 22 01 303 | | |
| 17 | Chain wheel, 10 teeth; 3/8" X 7/32" X 13,5 | 61005599 | | |
| 18 | Hexagon screw; M6 X 16; A70 | 20 01 306 | 3 | |
| 19 | Spring washer; B6 | 23 03 300 | 3 | |
| 20 | Support angle | 61005750 | | |
| 21 | Bearing bracket cpl. | 61005752 | | |
| 22 | Insulating plate; 0,8 X 25,5 X 43 | 31 24 235 | 2 | |
| 23 | Snap switch; 6A; 400V AC; 1WECHSLER | 31 24 234 | | |
| 24 | Cylinder head screw; M3 X 18 | 20 09 311 | 2 | |
| 25 | Washer; D20,5 X D30 X 1,5 | 61005753 | | |
| 26 | Locking ring; D20 X 1,2 | 23 10 001 | | |
| 27 | Collar; D44 X 20 | 61005747 | | |
| 28 | Grub screw; M6 X 16 | 20 30 302 | | |
| 29 | Transformer; 230V/1/50HZ | 31 15 020 | | |
| 30 | Washer; D5,3 X D12 X 0,8 | 22 02 313 | | |
| 31 | Hexagonal nut; M5 SELBSTSICHERND | 21 05 302 | | |
| 32 | Geared motor set | 61006607 | | |
| 33 | Radial shaft seal; D9,7 X D18 X 6 | 27 10 022 | | |



GS 502, GS 515**Waste water heat recovery - GS 502, GS 515 Energy+**

| Item. | Designation | Parts no.: | Pc. | Notes |
|-------|-----------------------------------|------------|-----|-------------------------------|
| 1 | Heat exchanger | 80003665 | | |
| 2 | Moulded hose; DN12,5 X 4,0 | 80003727 | | |
| 3 | Moulded hose; DN17 X DN24 X 4,0 | 80003721 | | |
| 4 | Industrial hose; DN13 X 3,5 | 40 02 035 | | 1300 mm; "By-the-metre" goods |
| 5 | Industrial hose; DN13 X 3,5 | 40 02 035 | | 2000 mm; "By-the-metre" goods |
| 6 | Hose elbow; DN12,5 X 4,0 | 40 03 051 | | adapt |
| 7 | Moulded hose; DN10 X DN12,5 X 3,5 | 80003726 | | |
| 8 | Moulded hose; DN17 X D24 X 4,0 | 80003720 | | |
| 9 | Washer; D5,3 X D15 X 1,2 | 22 05 301 | | |
| 10 | Hexagonal nut; M5 SELBSTSICHERND | 21 05 302 | | |
| 11 | Moulded hose; DN10 X DN12,5 X 3,5 | 80003725 | | |
| 12 | Hose; DN10 X 2,0 | 40 01 050 | | 1010 mm; "By-the-metre" goods |